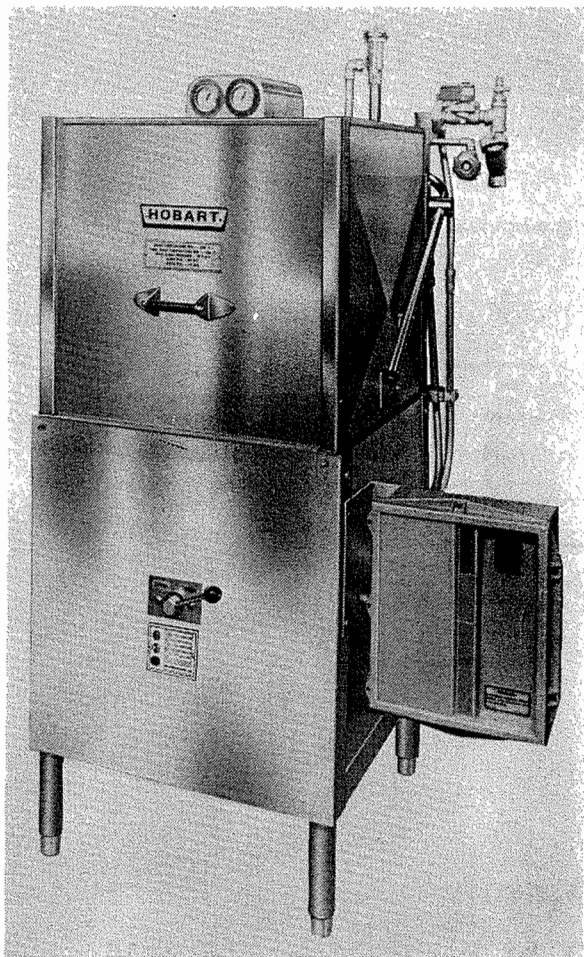


HOBART

INSTRUCTION MANUAL

... with Replacement Parts



AM-10, AM-11, & AM-11C DISHWASHERS

ML-18290 - AM-10
(Straight Thru Inst., R. H. Controls)

ML-18310 - AM-10
(Straight Thru Inst., L. H. Controls)

ML-18291 - AM-11
(Straight Thru Inst., R. H. Controls)

ML-18311 - AM-11
(Straight Thru Inst., L. H. Controls)

ML-18292 - AM-11C
(Corner Inst., R. H. Controls)

- THIS PAGE INTENTIONALLY LEFT BLANK -

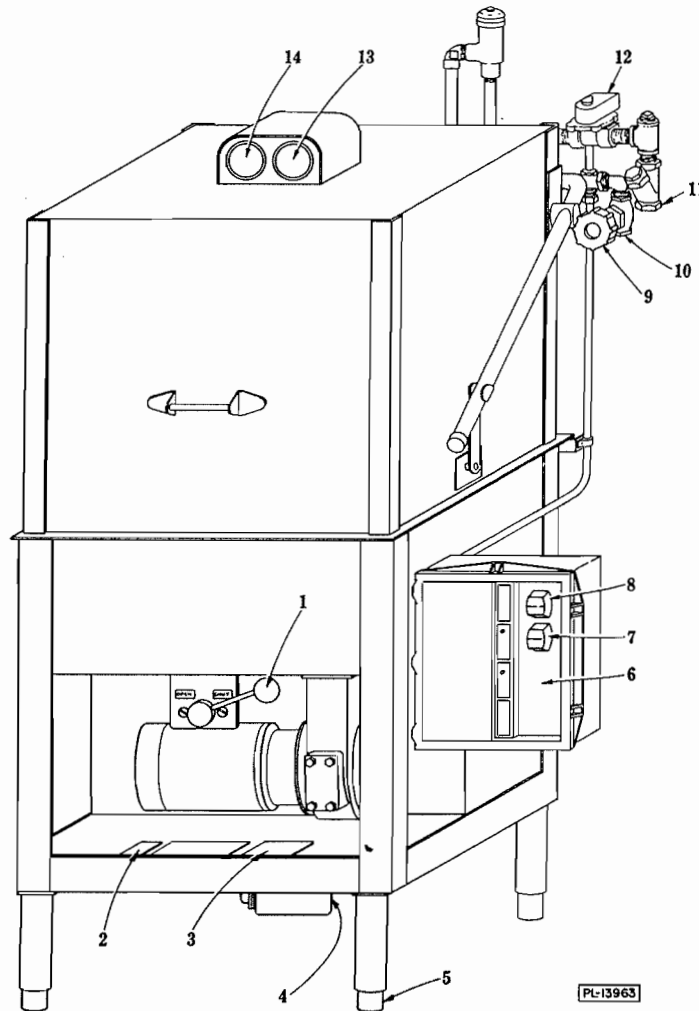


Fig.1

Installation, Operation and Care of MODEL AM-10, AM-11 AND AM-11C DISHWASHERS

The dishwasher incorporates a solid state electronic control system which regulates the time cycle, water temperature, motor protection (optional) and timed fill (optional).

Your dishwasher may be factory equipped with special **OPTIONAL** features. Use only the instructions that apply to your equipment.

For the users convenience the instructions in this

manual are divided into five sections:

- | | |
|------------------|-----------------|
| A – GENERAL | C – OPERATION |
| B – INSTALLATION | D – MAINTENANCE |
| E – SERVICE TIPS | |

Each section has the code letter as a prefix and the sections are then numerically listed. As each section is broken down (sub-divided) a period and a suffix number is added, i.e. B.6.1.1; B - stands for "Installation", 6 - designates "Heaters", 1 - designates "Steam", and 1 - designates "connect to".

With this type of numbering, all sections, paragraphs, and sub-paragraphs may be identified for reference. With this method, a cross reference may be used to avoid repetition and direct the reader to exact copy needed.

SECTION A - GENERAL

A.1 MODELS:

A.1.1 The basic AM-10 model is a straight-thru dishwasher with two counterbalanced doors. (Does not have an inspection door in the front). (Cannot be converted to corner installation).

A.1.2 The basic AM-11 model is a straight-thru dishwasher with two counterbalanced doors plus a non-counterbalanced inspection door in front. (Cannot be converted to corner installation).

A.1.3 The basic AM-11C model is for corner installation and has two adjacent counterbalanced doors. (Cannot be converted to straight-thru installation).

A.2 DOOR CYCLE SWITCH:

A.2.1 The standard dishwasher includes the door cycle switch. The door cycle switch activates the machine cycle when door is closed. If door is opened during machine cycle, the dishwasher stops and machine cycle will start when door is closed again.

A.3 ELECTRICAL CONTROL OPTIONS:

A.3.1 Option 1 - Standard machine with motor protection. The motor protection stops the motor if motor becomes overheated.

A.3.2 Option 2 - Standard machine with motor protection and timed fill. The timed fill when actuated provides an automatic two minute

fill through the rinse valve. The fill operation is independent of all other operations. (See section C.1.4.1).

A.4 MAGNETIC MOTOR CONTROL:

A.4.1 All three basic models (AM-10, AM-11 and AM-11C) are equipped with magnetic motor controllers and furnished as standard without thermal overload protection.

A.5 MOTOR:

A.5.1 The AM-10, AM-11 and AM-11C dishwashers are equipped with a Hobart built, two pole, 3450 R.P.M. motor.

A.6 VACUUM BREAKER:

A.6.1 The rinse and fill lines are equipped with a special hot water vacuum breaker. This provides an air gap in the supply lines, thus preventing any reverse flow of water from the machine into the fresh water supply.

A.7 HEATERS:

A.7.1 Tank water heating is accomplished by using steam, gas or electricity. (See section B.6).

A.7.2 NOTE: If tank is accidentally drained before turning off power switch (8, Fig. 1), the float controlled low water protector switch will automatically de-energize the heater. When the water level is again returned the tank water heat will be automatically energized.

A.8 FRONT PANEL:

A.8.1 The front panel is held in position by 4 screws. (For field installation it is necessary to drill 4 holes for retaining clips).

A.9 LEG TRIM:

A.9.1 Stainless steel trim covers are used to cover the legs. (These covers may be added in the field but drilling will be necessary).

A.10 REDUCED VOLTAGE CONTROL (STANDARD):

A.10.1 A control transformer is used to provide a low voltage for the control circuits. This control transformer also supplies 115 V.A.C. to the main control box components.

SECTION B - INSTALLATION

Plumbing and electrical connections should be made by qualified workmen who will observe all applicable Sanitary Codes, Safety Codes and the National Electrical Code.

B.1 LOCATIONS:

B.1.1 Set the dishwasher in its proper location. Adjust to height and level by turning the threaded feet (5, Fig. 1). Make sure the dishwasher is level before making plumbing connections. There must be adequate room to open and service control box (6, Fig. 1).

B.1.2 Dish tables (1, Fig. 2) should be turned down and fit into the dishwasher.

B.2 ELECTRICAL CONNECTIONS:

B.2.1 Before making any electrical connections, check the specifications of the equipment on machine data plate (3, Fig. 1) to make sure they agree with those of your electrical service. A fused disconnect switch or circuit breaker (not furnished) MUST be installed in the electric service line supplying this device and should meet the requirements of your local electrical code. All connections are made at the terminal block in the control box (6, Fig. 1).

NOTE: The operating control switches should be in the "OFF" position when

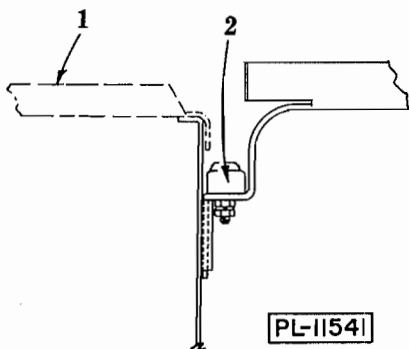


Fig. 2

electrical connections are made. Pilot light is "ON" when machine is in operating cycle. Allow machine to complete any timed cycles (such as timed fill) (C.1.4.1) before actuating any control switches and before starting normal operation of dishwasher.

B.2.2 The three phase motor must be connected so the motor rotates in direction of arrow on pump face plate cover (4, Fig. 8). Remove the three hex head screws (3, Fig. 8) that retain the face plate cover (with the arrow). The impeller is then plainly visible and should rotate clockwise. Interchanging two power line leads will reverse the three phase motor. The motor must rotate in the correct direction for the pump to function properly.

B.3 DRAIN:

B.3.1 Connect the drain (4, Fig. 1) to the sewer using 2" pipe. If a grease trap is required by code, it should have a flow capacity of 42 gallons per minute. Left-hand drain is standard. Interchange plug for a right-hand drain.

B.4 FILL:

B.4.1 A separate 1/2" fitting (10, Fig. 1) is provided for connecting the fill line. The temperature of the water supplied to the dishwasher should be 150° to 160° F.

B.5 RINSE:

B.5.1 The water for the rinse should have a temperature of 180° to 195° F. and have a flow pressure of 20 to 25 P.S.I. at the machine. Use 3/4" pipe for the connecting line. Connect pipe to the line strainer (11, Fig. 1) which is assembled directly ahead of the fill (solenoid) valve (12, Fig. 1) to prevent foreign matter from reaching the valve. For long runs, use larger pipe to insure proper flow pressure. If pressure exceeds 25 P.S.I., a pressure reducing valve must be installed in the rinse supply line.

B.6 **HEATERS** (refer to section that applies to your equipment):

B.6.1 Steam:

B.6.1.1 Connect to steam line. A solid state circuit board controls the steam valve to provide a positive shut-off and prolong the life of the solenoid valve. When machine is not in use, close the manual steam valve in the line ahead of the solenoid valve.

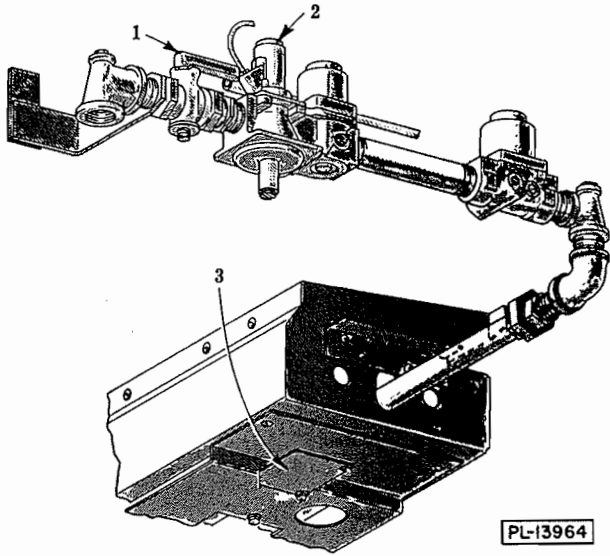


Fig. 3

B.6.2.4.2 To light gas Pilot:

- a. Turn handle to open shut-off valve (1, Fig. 3).
- b. Open lighter hole cover (3, Fig. 3).
- c. Push and hold depressed the re-set button (2, Fig. 3) while also holding flame inside the lighter hole. A 3" candle or similar extender is a good aid to get flame up to the pilot port. Hold re-set button depressed for 30 to 45 seconds or until pilot burner continues to burn when button is released. Pilot flame should surround end of thermocouple approximately 1/2". A mirror may be used to check the pilot flame.
- d. Close lighter hole cover (3, Fig. 3).

B.6.2 Gas:

B.6.2.1 Check tag attached to gas burner tubing for type of gas to be used with the equipment.

NOTE: There is a separate gas specification plate (2, Fig. 1) attached to the dishwasher.

B.6.2.2 Connect to gas supply with tubing or pipe to conform with local codes. Check to make sure compression fittings of the gas burner have not loosened during machine shipment.

B.6.2.3 This style of gas burner has a control valve to suit the type of gas used and is non-adjustable. The control valve has a built in gas pressure regulator to hold the pressure to 3-1/2" W.C. (natural gas). An additional gas pressure regulator must be installed (by customer), if pressure supplied to machine is above 7" W.C. (natural gas) or 11" W.C. (L.P. gas).

B.6.2.4 Safety Valve and Pilot:

B.6.2.4.1 The pilot flame is intended to burn continuously. Should the flame be blown out, or the gas pressure fail, the valve will shut off completely, thus preventing gas leakage, into the room.

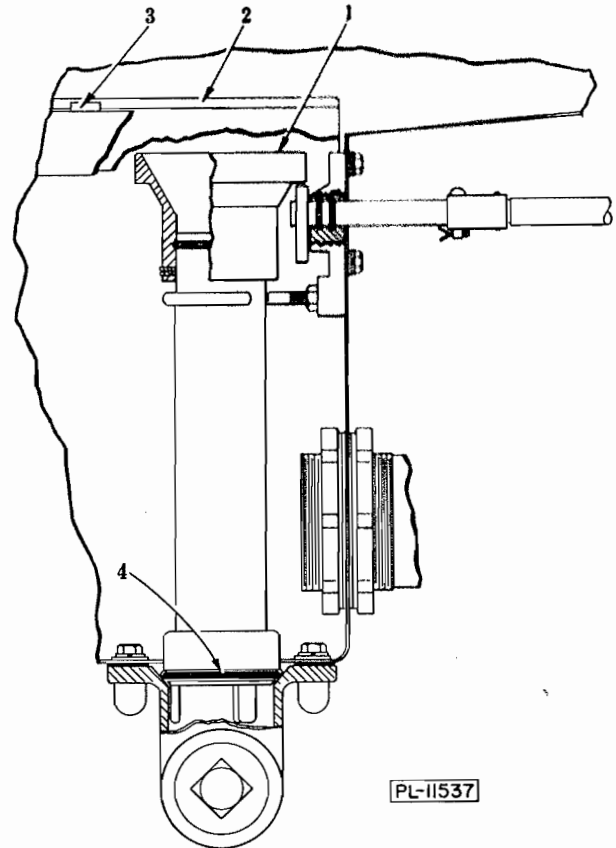


Fig. 4

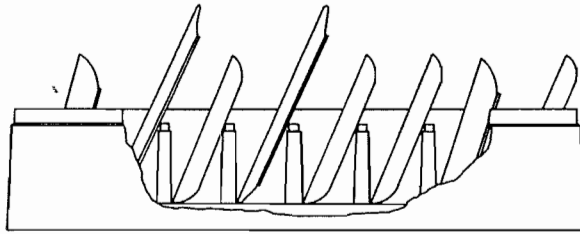


Fig. 5

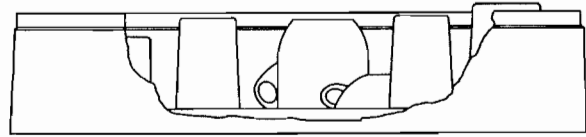


Fig. 6

B.6.2.5 Main Burner:

B.6.2.5.1 Gas flow to the main burner is regulated by the solenoid valve of the control valve. With the power switch (8, Fig. 1) turned "On", the shut off valve open (1, Fig. 3), the temperature control circuit board regulates the flow of gas to the burner.

B.6.3 Electric:

B.6.3.1 With electric heat, no special installation instructions are necessary. See wiring diagram attached inside control box cover. It is **IMPORTANT** to use the correct wire size when connecting the machine.

1) and fill tank to overflow level (1, Fig. 4) (fills strainer pans to 1/2" depth). All filling is through the rinse system.

C.1.4.1 If timed-fill option is used, the tank is filled through the rinse system (by way of rinse solenoid valve). To start filling operation, push timed fill switch momentarily. Wait a full 2 minutes to complete the timed fill cycle.

C.1.5 Wash thermometer (13, Fig. 1) should register between 150° and 160° F. Rinse thermometer (14, Fig. 1) during rinsing operation, should register 180° to 195° F. These temperatures are necessary for proper dishwashing.

SECTION C - OPERATION

C.1 PREPARING DISHWASHER FOR OPERATION:

C.1.1 Close the drain by turning handle (1, Fig. 1) to "shut".

C.1.2 Place the overflow cover (2, Fig. 4) and the two clean strainer pans (3, Fig. 4) into position.

C.1.3 Scatter the initial charge of detergent on the strainer pans. Replenish as needed unless automatic detergent dispenser has been added by others.

C.1.4 Close the doors. Turn on fill valve (9, Fig.

C.2 OPERATING DISHWASHER:

C.2.1 Stack the dishes in the racks. Do not stack dishes one on top of another; water must have free access to both sides of every dish.

C.2.1.1 Stand plates and flat dishes up edge-wise, in mixed dish rack (Fig. 5).

C.2.1.2 Cups, glasses and bowls should be placed open side down (bottoms up) in cup, glass and silver rack (Fig. 6).

C.2.1.3 Silverware, butter chips, and small pieces are to be scattered loosely over screen bottom of cup, glass and silver rack (Fig. 6).

C.2.2 After filling rack, raise the doors and slide rack into dishwasher. Close the doors.

C.2.3 When operating the standard (W/O Timed Fill) machine, load rack, close doors and turn cycle switch (7, Fig. 1) "On". When pilot light goes out, (after approximately 60 seconds) open doors and slide in second rack. Close doors, push cycle switch to "Off" position, then push cycle switch to "On" position to start cycle. The dishes in the first rack will be washed, rinsed and steaming hot. They will air dry in a few minutes.

C.2.4 When operating the automatic (with Timed Fill) machine with door cycle switch; close door and dishwasher starts automatically. When pilot light goes off, cycle is completed. If cycle is interrupted, such as adding a dish by opening and closing the door, the timer resets and starts a new cycle. This feature provides a complete cycle to insure proper cleaning of an added article.

C.3 MANUAL WASH AND RINSE (OPTIONAL):

C.3.1 The dishwasher can be operated in automatic or manual by positioning the cycle switch (1, Fig. 7) in desired position. When cycle switch is set for manual, wash operation is accomplished when wash/rinse switch (2, Fig. 7) is in wash position. To rinse in manual operation, hold lower wash/rinse (2, Fig. 7) in rinse position for rinse time desired. The center position is in the "OFF" position. When the cycle switch (1, Fig. 7) is set on automatic, the dishwasher operates on the normal cycles.

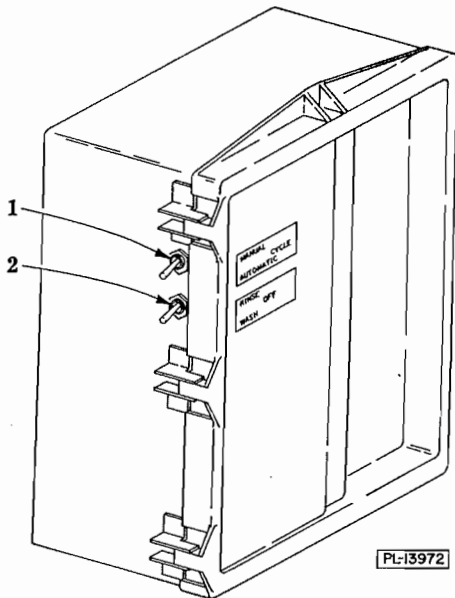


Fig. 7

C.4 AFTER OPERATIONS:

C.4.1 TURN OFF POWER SWITCH:

C.4.2 Turn drain handle (1, Fig. 1) to "Open" and drain the dishwasher tank.

C.4.3 Clean off the soiled and clean dish tables into the dishwasher, before removing strainer pans.

C.4.4 Take out the strainer pans (3, Fig. 4) and empty contents into garbage can or disposer. Wash and rinse strainer pans thoroughly, allow to dry and then install into dishwasher.

C.4.5 Close the doors and open manual fill valve. With drain open thoroughly cleanse the interior of dishwasher for a minimum of 1 minute.

C.4.6 Open doors and leave them open to allow interior to dry out and air.

C.4.7 See maintenance section (D) for cleaning wash arms, rinse nozzles, etc.

SECTION D - MAINTENANCE

D.1 LUBRICATION:

NOTE: Hobart servicing offices have the current lubricants listed in their lubrication manual.

D.1.1 Motor:

D.1.1.1 Lubricate once or twice a year with the proper lubricant. Remove the grease plug (1, Fig. 8) to add the grease.

CAUTION: Do NOT over-lubricate; excessive lubrication does more damage than under-lubrication.

D.1.2 Pump - No lubrication required.

D.1.3 Wash Arms:

D.1.3.1 The revolving upper wash arm has ball bearings that are grease lubricated at the factory and sealed at assembly. No additional lubrication should be required.

D.1.4 Doors:

D.1.4.1 Occasional lubrication at the pivot

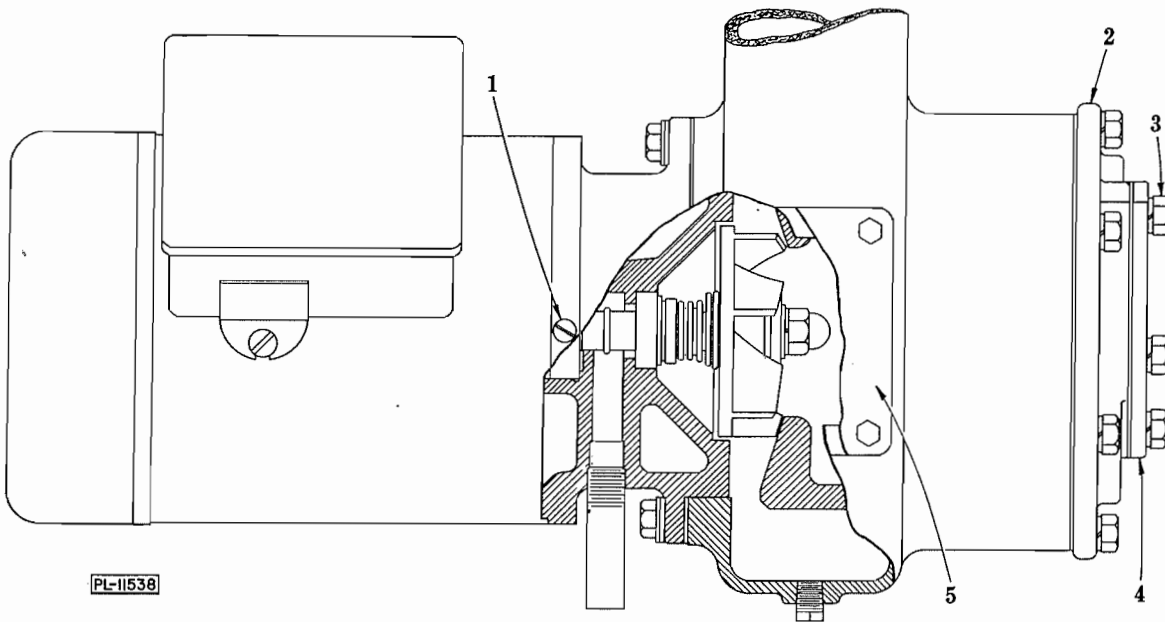


Fig. 8

points of the door lift are desirable. Ease of operation will control the frequency of lubrication. Use the proper lubricant.

D.2 WASH ARMS:

D.2.1 Both wash arms (upper and lower) should turn freely and continue turning for a few seconds after being whirled by hand.

D.2.2 If the strainer pans or overflow cover are not properly in place, obstructions (such as prune seeds or bones) may clog the wash arm nozzles. The wash arms are easily removed for cleaning.

D.2.2.1 To remove the lower wash arm, first lift off the rinse arm, then using a dowel (or end of punch) unscrew the rinse arm bearing pin (1, Fig. 9). Lift off lower wash arm. Loosen thumb screw to remove wash arm nozzles.

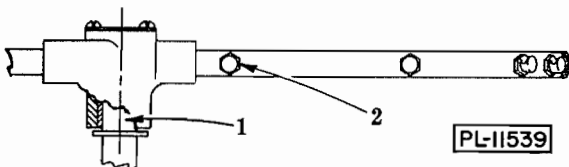


Fig. 9

D.2.2.2 The upper wash arm is removed by unscrewing the hand knob (1, Fig. 10) and withdrawing the arm. Remove wash arm nozzles by loosening thumb screws.

D.3 RINSE NOZZLES:

D.3.1 The rinse nozzles will need frequent cleaning if the water contains much lime or other solids.

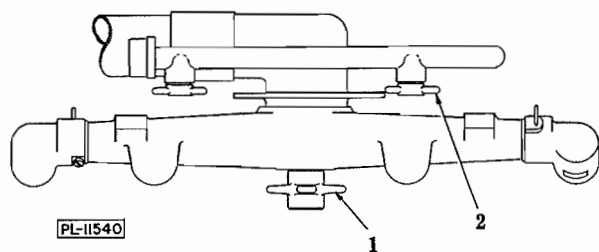


Fig. 10

D.3.1.1 Remove the upper rinse nozzle by unscrewing the winged caps (2, Fig. 10). Clean the grooves and central hole in the loose nozzle core.

D.3.1.2 The hole in the rinse nozzle (2, Fig. 9) on the lower rinse arm may be cleaned with a wire or straightened-out paper clip. Push the scale or obstruction into the rinse

arm, then unscrew the end plugs and flush out the tubes by operating the rinse. The lower rinse arm may be lifted straight off the wash arm.

D.4 DOOR BUMPER:

D.4.1 If bumper (2, Fig. 2) becomes worn or deformed it must be replaced; door safety switch and machine will not function properly.

SECTION E - SERVICE TIPS

E.1 DISHES NOT CLEAN:

E.1.1 Insufficient wash water:

E.1.1.1 Water may be lost through improperly closed drain due to obstruction or damaged "O" ring. Remove obstruction or replace damaged "O" ring (4, Fig. 4).

E.1.2 Improper or incorrect quantity of detergent.

E.1.2.1 Consult detergent representative for assistance.

E.1.3 Loss of wash pressure (see E.1.1 & E.1.2).

E.1.3.1 Pump obstruction. Turn off electric power supply, then drain tank. Check for and remove any obstruction in tank and pump intake. Next, remove inspection plate (5, Fig. 8) and face plate cover (4, Fig. 8). Check and remove any obstruction. Seal gaskets at re-assembly.

E.1.3.2 Pump motor not running (see section E.6).

E.1.4 Incorrect water temperatures:

E.1.4.1 For proper water temperatures see sections B.4 and B.5. For improper rinse water temperature check your central hot water supply and rinse water booster heater. For improper wash water temperature see section B.6.

E.1.5 Spotting of silverware, glasses and dishes:

E.1.5.1 Improperly loaded racks will hinder wash and rinse operations (see C.2.1).

E.1.5.2 Excessive solids or hardness in the water will cause spotting. A water softener and some types of detergents help reduce this problem. Consult your detergent representative.

E.1.5.3 For incorrect rinse water temperature or pressure, see section B.5 and E.1.4.1. Consult your plumber if low or high pressure exists.

E.1.6 Inadequate Rinse:

E.1.6.1 A dirty line strainer will cause reduced flow. Shut off water supply, remove strainer cap, and withdraw screen for cleaning.

E.1.6.2 Low flow pressure will cause inadequate rinse, see section B.5. Consult your plumber if low pressure exists.

E.2 PUMP SERVICING:

E.2.1 If the pump face plate (2, Fig. 8) is removed, in servicing the pump and a new gasket is required, select a gasket (or gaskets) from the gasket kit, that will give from .008" to .010" clearance between face plate and impeller. This is IMPORTANT. The gasket kit (part M-80432) consists of 1 blue (.005" thk.), 1 brown (.010" thk.) and 1 yellow (.020" thk.).

E.3 CONTINUOUS RINSE OPERATION:

E.3.1 Improperly operated timed fill (see section C.1.4.1).

E.4 LEAKING VALVES:

E.4.1 The steam or fill valves to operate properly must be free of foreign material at the valve seat. A critical period for a valve is soon after installation, when pipe compound or metal shavings from the installation may lodge at the valve seat and prevent the valve from completely closing. A dirty line strainer will also allow foreign material to pass (see E.1.6.1). Shut off the water supply and using a wrench, unscrew and lift bonnet from valve body (except see section E.4.2 for solenoid valve). Clean the valve, removing foreign obstructions.

E.4.2 It is recommended that if a solenoid valve is malfunctioning, a Hobart service technician be contacted. Inexperienced personnel can easily damage this type of valve.

E.5 NO WASH TANK HEAT (Gas & Elec.):

E.5.1 If the tank should be accidentally drained, the low water protector will make the heat inoperative. If this happens, refer to section B.6.2 for gas or section B.6.3 for electric heats.

E.5.2 Electric power supply failure (see section E.6.1).

E.6 ELECTRICAL SERVICING:

E.6.1 Failure of machine to operate may be caused by a blown or tripped circuit breaker in the power supply line to the dishwasher. Replace fuse or re-set circuit breaker if necessary. If this procedure does not correct trouble, then contact your Hobart service technician.

E.7 VACUUM BREAKER LEAKING:

E.7.1 Deposits on the float will prevent the proper operation of the vacuum breaker. Shut off the water supply and remove the threaded top cap (4, Fig. 11). Lift off the collar (5, Fig. 11) with the "O" ring (2, Fig. 11), then remove the gasket (1, Fig. 11). Withdraw the float (3, Fig. 11) and clean thoroughly. At re-assembly make sure the

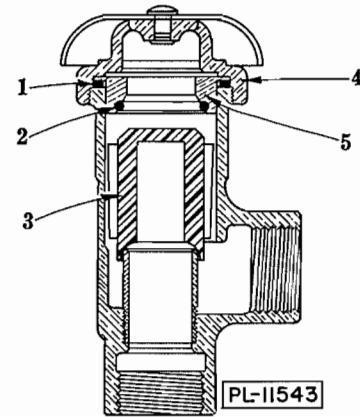
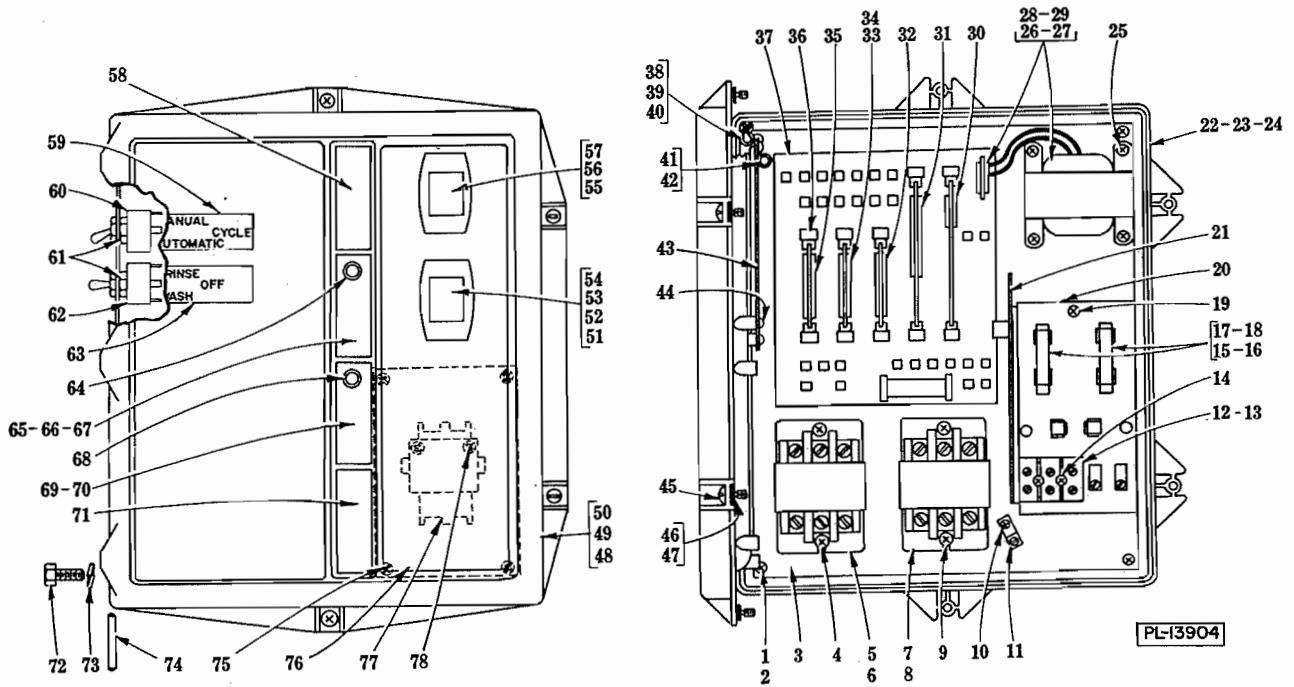


Fig. 11

"O" ring is not damaged and is properly seated in its groove.

E.8 FLOAT CONTROLLED LOW WATER PROTECTION:

E.8.1 If machine heat operates intermittently, check low water tank float. Deposits of foreign materials may prohibit proper operation. With tank drained, using a soft cloth, wipe any foreign material from the probe and float.

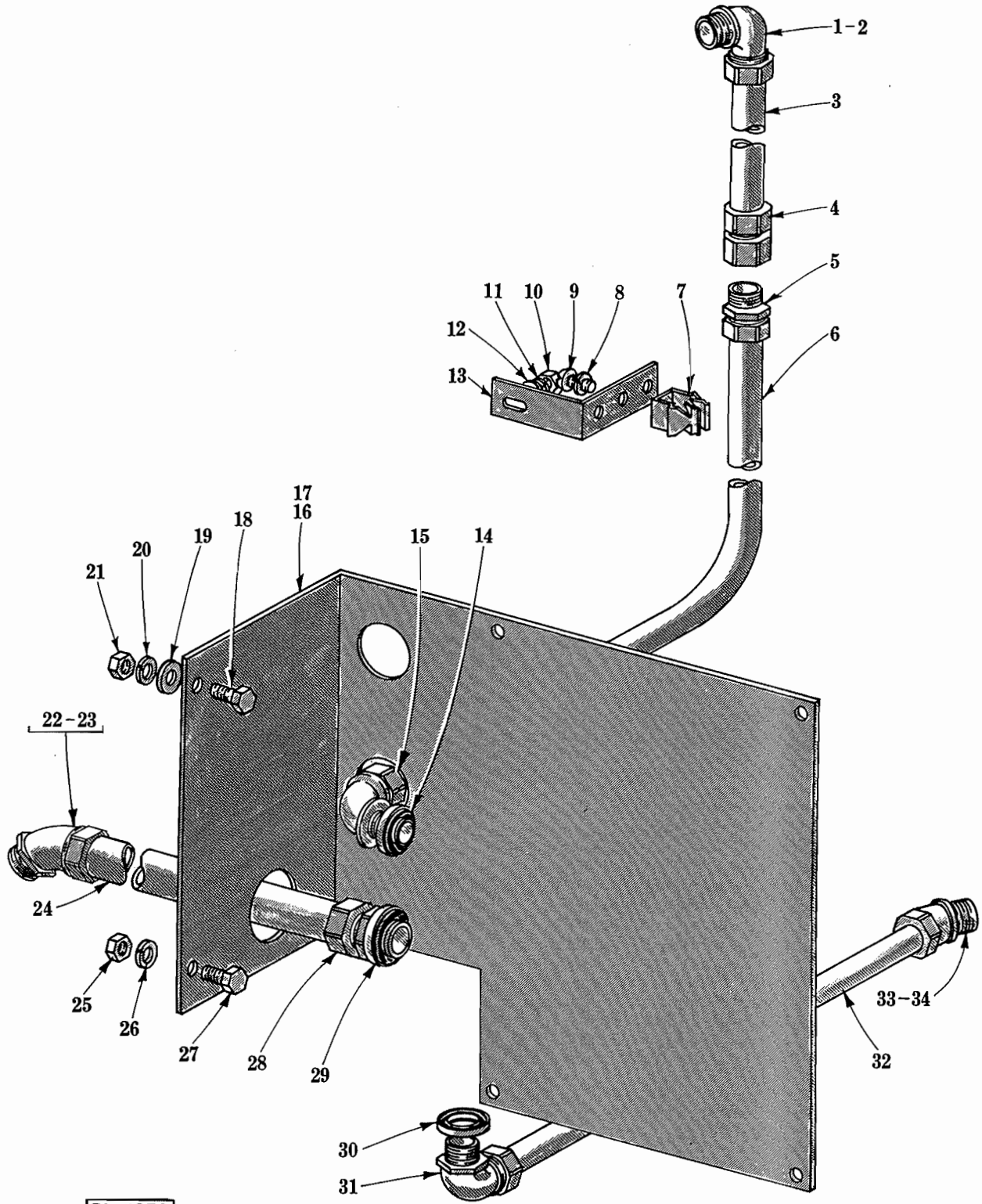


CONTROL BOX UNIT

ILLUS. NO.	PART NO.	NAME OF PART	AMT.
1	SC-71-11	Mach. Screw - #10-24 x 3/8" Phil. Truss Hd.	4
2	WL-7-12	Lock Washer - #10 Ext. Shakeproof	4
3	E-112012	Plate - Base	1
4	SD-8-25	Self-Tapping Screw - #10 x 3/8" Phil. Bind. Hd., Type B	2
5	B-112124	Contactor - Magnetic (1 Ph.)	1
6	B-111886	Contactor - Magnetic (3 Ph.)	1
7	B-112124	Contactor - Magnetic (1 Ph.) (Elec. Heat)	1
8	B-111886	Contactor - Magnetic (3 Ph.) (Elec. Heat)	1
9	SD-8-25	Self-Tapping Screw - #10 x 3/8" Phil. Bind. Hd., Type B	2
10	SD-8-25	Self-Tapping Screw - #10 x 3/8" Phil. Bind. Hd., Type B	1
11	C-118544-1	Lug - Solderless	1
12	C-111995	Block - Terminal	1
13	C-112312	Board - Insulating	1
14	SD-19-28	Self-Tapping Screw - #8 x 1-3/8" Phil. Rd. Hd., Type B	2
15	FE-16-29	Fuse - Fiber Tube (1 Amp. BBS-1)	2
16	FE-16-30	Fuse - Fiber Tube (2 Amp. BBS-2)	2
*17	FE-19-48	Fuse - Fiber Tube (.8 Amp. BBS-8)	2
*18	FE-19-50	Fuse - Fiber Tube (1.6 Amp. BBS-1.6)	2

CONTROL BOX UNIT (Cont.)

ILLUS. PL-13904	PART NO.	NAME OF PART	AMT.
19	SD-8-18	Self-Tapping Screw - #8 x 3/8" Phil. Bind. Hd., Type B	1
20	C-118300	Terminals & Mtg. Board Assy.	1
21	D-112059	Insulator - Terminal Board	1
22	D-112171	Control Box	1
*23	C-118346	Control Box	1
24	M-83130	Seal - Oil Tight (1/2")	As Req'd.
25	SD-8-25	Self-Tapping Screw - #10 x 3/8" Phil. Bind. Hd., Type B	4
26	C-111983-1	Power Input Board Assy. (110-120/208-240 V., 60 Hz., 1 Ph.)	1
27	C-111983-2	Power Input Board Assy. (208-240/416-480 V., 60 Hz., 3 Ph.)	1
28	C-111983-3	Power Input Board Assy. (100-116.5/200-233 V., 50 Hz., 1 Ph.)	1
29	C-111983-4	Power Input Board Assy. (200-233/400-466 V., 50 Hz., 3 Ph.)	1
30	D-120529	Power Supply Board Assy.	1
31	E-118419	Timer Board Assy.	1
32	D-111641	Timed Fill Board Assy.	1
33	D-111914	Motor Control Board Assy.	1
34	D-114485	Motor Protector Board Assy.	1
35	D-114488	Temperature Control Board Assy.	1
36	D-111849	Edge Guide - P.C. Board	10
37	D-120354-1	Master Board Assy.	1
38	C-112159	Retainer - Clamp	1
39	B-112522	Clamp - Control Box	1
40	SD-8-18	Self-Tapping Screw - #8 x 3/8" Phil. Bind. Hd., Type B	1
41	B-112522	Clamp - Control Box	1
42	SD-12-20	Self-Tapping Screw - #8-32 x 1/2" Phil. Truss Hd., Type 23	1
43	D-111940	Reed Mounting Board Assy.	1
44	SD-12-4	Self-Tapping Screw - #8-32 x 3/8" Phil. Truss Hd., Type 23	3
45	B-112129	Screw - Captive	4
46	B-112016	Retainer - Captive Screw	4
47	B-112169	Spacer - Lid	4
48	C-112123	Lid & Gasket Sub-Assy. (Incls. item #50) (Use W/1 Switch)	1
49	C-112122	Lid & Gasket Sub-Assy. (Incls. item #50) (Use W/2 Switches)	1
50	C-112068	Gasket - Control Box	1
51	D-112574-3	On/Off Switch Assy. (Maintained) (Standard)	1
52	D-112574-2	Start Switch Assy. (Momentary) (Timed Fill)	1
53	SD-12-4	Self-Tapping Screw - #8-32 x 3/8" Phil. Truss Hd., Type 23	2
54	WS-19-16	Washer	2
55	D-112574-3	On/Off Switch Assy. (Maintained)	1
56	SD-12-4	Self-Tapping Screw - #8-32 x 3/8" Phil. Truss Hd., Type 23	2
57	WS-19-16	Washer	2
58	C-112023	Plate - Identification (Power)	1
*59	C-118348	Plate - Identification (Cycle)	1
*60	B-87711-129-1	Switch - Toggle (Cycle)	1
*61	WL-7-30	Lock Washer - 1/2" Ext. Shakeproof	2
*62	B-87711-139-1	Switch - Toggle (On-Off)	1
*63	C-118347	Plate - Identification (On-Off)	1
64	B-111936	Solid State Pilot Light Assy. (Standard, Door Cycle Switch, Motor Protection or Door Lock)	1
65	C-112026	Plate - Identification (Cycle) (Standard)	1
66	C-112029	Plate - Identification (Cycle) (Door Cycle Switch, Motor Protection or Door Lock)	1
67	C-112027	Plate - Identification (Cycle) (Timed Fill)	1
68	B-111936	Solid State Pilot Light Assy. (Timed Fill)	1
69	C-112034	Plate - Identification (Blank) (Standard, Door Cycle Switch, Motor Protection or Door Lock)	1
70	C-112029	Plate - Identification (Cycle) (Timed Fill)	1
71	C-112034	Plate - Identification (Blank)	1
72	SC-41-10	Fin. Bolt - 5/16"-18 x 5/8" Hex Hd. (Control Box to Support)	4
73	WL-6-22	Lock Washer - 5/16" x .117" x .056"	4
74	B-112022	Pin - Control Box & Lid	3
75	SD-12-4	Self-Tapping Screw - #8-32 x 3/8" Phil. Truss Hd., Type 23	4
76	C-112521	Plate - Base (Dispenser Contactor)	1
77	B-112527	Contactor (Soap Dispenser)	1
78	SD-8-25	Self-Tapping Screw - #10 x 3/8" Phil. Bind. Hd., Type B	2
	E-112519	Wiring Harness (R.H. Controls) (Not Shown)	1
*E-118354		Wiring Harness (R.H. Controls) (Not Shown)	1
E-112520		Wiring Harness (L.H. Controls) (Not Shown)	1
*E-118355		Wiring Harness (L.H. Controls) (Not Shown)	1
		*Manual Wash & Rinse.	



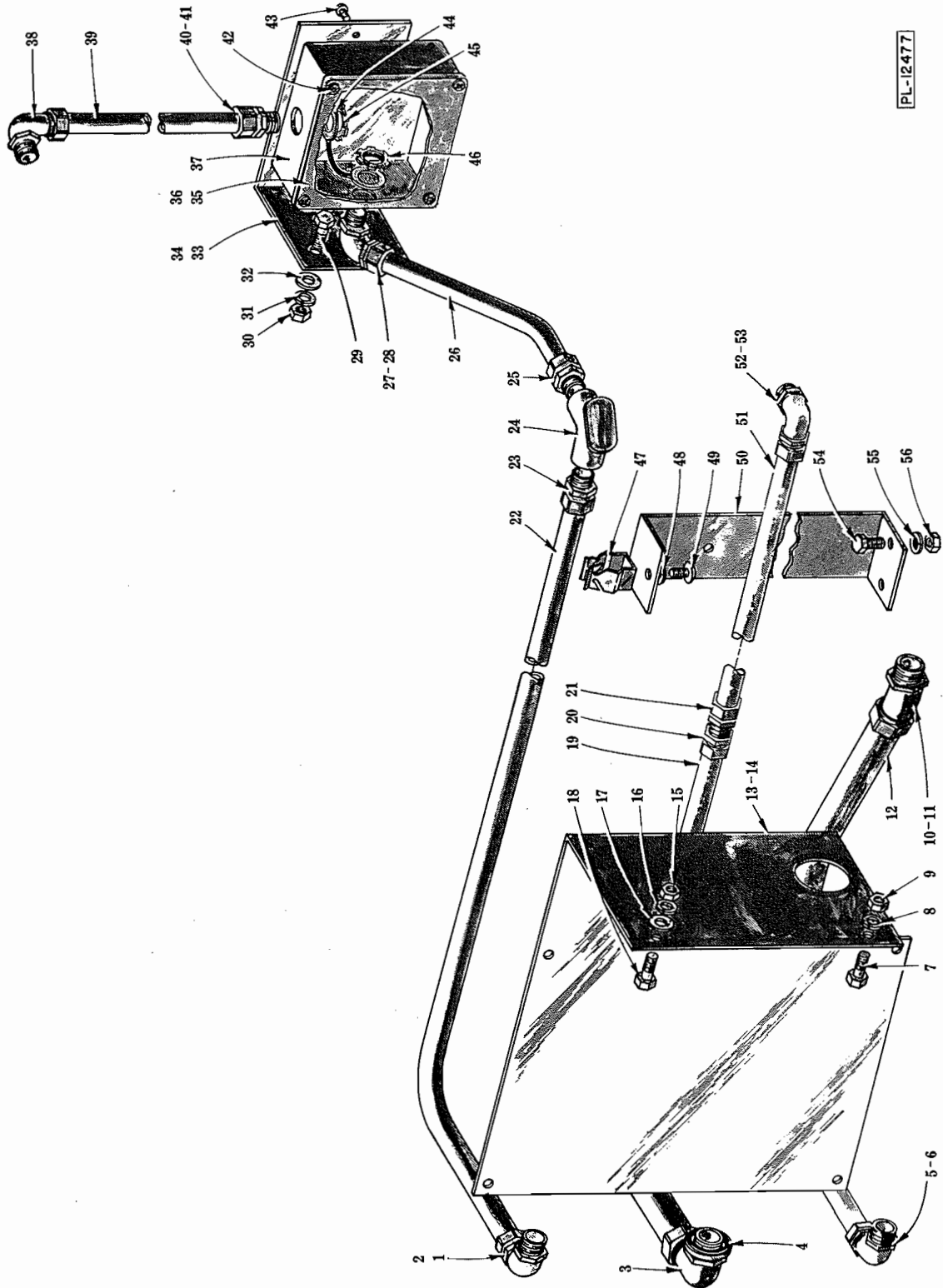
PL-11832

CONDUIT

**CONDUIT
(R.H. CONTROLS)**

ILLUS. PL-11832	PART NO.	NAME OF PART	AMT.
1	FE-7-3	Connector - 90° "Sealtite" (1/2" Male Thd. x 3/8" Flex. Cnd.) -----	1
2	FE-8-10	1/2" Gasket Assy. -----	1
3	P-68190-52	Conduit - 3/8" x 15-3/8" (Waterproof) -----	1
4	FE-7-6	Connector - Straight "Sealtite" (1/2" Female Thd. x 3/8" Flex. Cnd.) -----	1
5	FE-6-45	Connector - Straight (1/2" Male Thd. x 1/2" Thinwall) -----	1
6	C-89740-44	Conduit (Control Box to Coupling) -----	1
7	B-112127	Clamp - 1/2" Conduit -----	1
8	WL-6-16	Lock Washer - 1/4" x .107" x .047" -----	1
9	SC-93-16	Mach. Screw - 1/4"-20 x 9/16" Pan Hd. -----	1
10	NS-15-11	Full Nut - 5/16"-18 Hex Fin. -----	1
11	WL-6-22	Lock Washer - 5/16" x .117" x .056" -----	1
12	WS-5-32	Washer -----	1
13	C-111968	Bracket - Conduit Support -----	1
14	FE-8-10	1/2" Gasket Assy. -----	1
15	FE-18-31	El - 90° Long (1/2" Male Thd. x 1/2" Thinwall) -----	1
16	E-111870-1	Bracket - Control Box (STL) -----	1
17	E-111870-2	Bracket - Control Box (SST) -----	1
18	SC-41-11	Fin. Bolt - 5/16"-18 x 3/4" Hex Hd. -----	1
19	WS-5-32	Washer -----	1
20	WL-6-22	Lock Washer - 5/16" x .117" x .056" -----	1
21	NS-15-11	Full Nut - 5/16"-18 Hex Fin. -----	1
22	FE-8-24	Connector - 45° "Sealtite" (3/4" Male Thd. x 3/4" Flex. Cnd.) -----	1
23	FE-8-11	3/4" Gasket Assy. -----	1
24	P-77657-18	Conduit - 3/4" x 17-1/2" (Waterproof) -----	1
25	NS-15-11	Full Nut - 5/16"-18 Hex Fin. -----	1
26	WL-6-22	Lock Washer - 5/16" x .117" x .056" -----	1
27	SC-41-11	Fin. Bolt - 5/16"-18 x 3/4" Hex Hd. -----	1
28	FE-8-23	Connector - Straight "Sealtite" (3/4" Male Thd. x 3/4" Flex. Cnd.) -----	1
29	FE-8-11	3/4" Gasket Assy. -----	1
30	FE-8-10	1/2" Gasket Assy. -----	1
31	FE-7-3	Connector - 90° "Sealtite" (1/2" Male Thd. x 3/8" Flex. Cnd.) -----	1
32	P-68190-27	Conduit - 3/8" x 9-1/2" (Waterproof) -----	1
33	FE-7-2	Connector - 45° "Sealtite" (1/2" Male Thd. x 3/8" Flex. Cnd.) -----	1
34	FE-8-10	1/2" Gasket Assy. -----	1

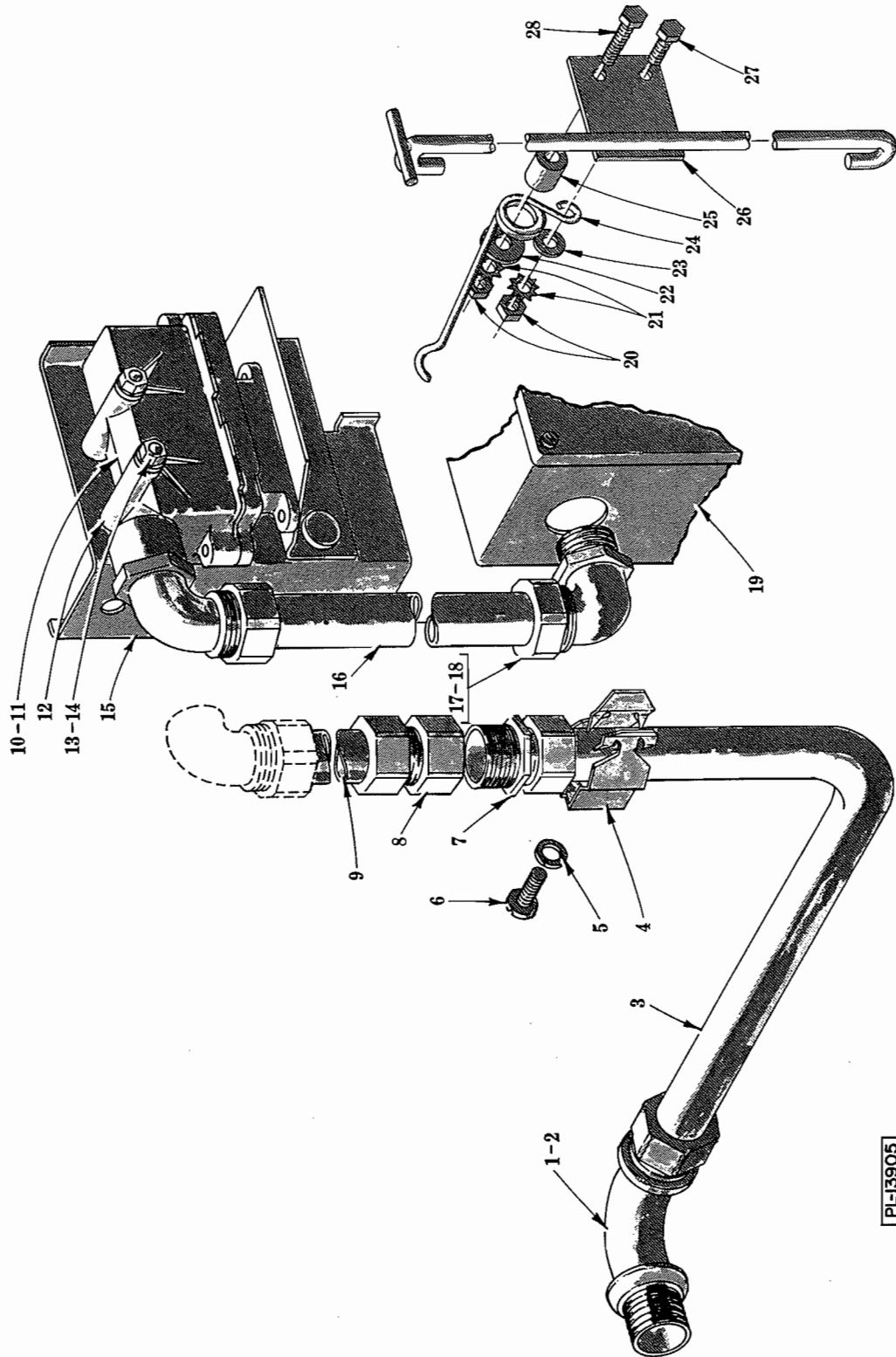
PL-12477



CONDUIT

**CONDUIT
(L.H. CONTROLS)**

ILLUS. PL-12477	PART NO.	NAME OF PART	AMT.
1	FE-6-37	Ell - 90° Short (1/2" Male Thd. x 1/2" Thinwall)	1
2	FE-8-10	1/2" Gasket Assy.	1
3	FE-8-25	Connector - 90° Short (3/4" Male Thd. x 3/4" Flex. Cnd.)	1
4	FE-8-11	3/4" Gasket Assy.	1
5	FE-6-37	Ell - 90° Short (1/2" Male Thd. x 1/2" Thinwall)	1
6	FE-8-10	1/2" Gasket Assy.	1
7	SC-41-11	Fin. Bolt - 5/16"-18 x 3/4" Hex Hd.	1
8	WL-6-22	Lock Washer - 5/16" x .117" x .056"	1
9	NS-15-11	Full Nut - 5/16"-18 Hex Fin.	1
10	FE-8-24	Connector - 45° "Sealtite" (3/4" Male Thd. x 3/4" Flex. Cnd.)	1
11	FE-8-11	3/4" Gasket Assy.	1
12	P-77657-28	Conduit - 3/4" x 28-7/8" (Waterproof)	1
13	E-111870-3	Bracket - Control Box (STL)	1
14	E-111870-4	Bracket - Control Box (SST)	1
15	NS-15-11	Full Nut - 5/16"-18 Hex Fin.	1
16	WL-6-22	Lock Washer - 5/16" x .117" x .056"	1
17	WS-5-32	Washer	1
18	SC-41-11	Fin. Bolt - 5/16"-18 x 3/4" Hex Hd.	1
19	C-89740-54	Conduit (Control Box to Coupling)	1
20	FE-6-45	Connector - Straight (1/2" Male Thd. x 1/2" Thinwall)	1
21	FE-7-6	Connector - Straight "Sealtite" (1/2" Female Thd. x 3/8" Flex. Cnd.)	1
22	C-89740-47	Conduit (Control Box to Pulling Ell)	1
23	FE-6-45	Connector - Straight (1/2" Male Thd. x 1/2" Thinwall)	1
24	FE-7-31	Ell - 90° x 1/2" Pulling	1
25	FE-7-4	Connector - Straight "Sealtite" (1/2" Male Thd. x 1/2" Flex. Cnd.)	1
26	P-77658-5	Conduit - 1/2" x 14" (Waterproof)	1
27	FE-7-7	Ell - 90° "Sealtite" (1/2" Male Thd. x 1/2" Flex. Cnd.)	1
28	FE-8-10	1/2" Gasket Assy.	1
29	SC-41-11	Fin. Bolt - 5/16"-18 x 3/4" Hex Hd.	2
30	NS-15-11	Full Nut - 5/16"-18 Hex Fin.	2
31	WL-6-22	Lock Washer - 5/16" x .117" x .056"	2
32	WS-5-32	Washer	2
33	C-111985-1	Bracket - Junction Box (STL)	1
34	C-111985-2	Bracket - Junction Box (SST)	1
35	C-112006	Lid & Gasket Sub-Assy. (Incls. item #36)	1
36	C-112007	Gasket (Lid)	1
37	D-111997-1	Box - Junction (W/O Door Safety Switch, W/O Door Lock)	1
38	FE-7-3	Connector - 90° "Sealtite" (1/2" Male Thd. x 3/8" Flex. Cnd.)	1
39	P-68190-31	Conduit - 3/8" x 28" (Waterproof)	1
40	FE-7-1	Connector - Straight "Sealtite" (1/2" Male Thd. x 3/8" Flex. Cnd.)	1
41	FE-8-10	1/2" Gasket Assy.	1
42	SD-12-20	Self-Tapping Screw - #8-32 x 1/2" Phil. Truss Hd., Type 23	4
43	SD-12-4	Self-Tapping Screw - #8-32 x 3/8" Phil. Truss Hd., Type 23	2
44	C-112018-66	Wire Lead Assy. (1/2" Grounding)	1
45	FE-6-7	Lock Nut - 1/2" Cnd.	1
46	FE-6-7	Lock Nut - 1/2" Cnd.	1
47	B-112127	Clamp - 1/2" Cnd.	2
48	WL-6-16	Lock Washer - 1/4" x .107" x .047"	2
49	SC-93-16	Mach. Screw - 1/4"-20 x 9/16" Pan Hd.	2
50	C-111984	Bracket - Conduit Support	2
51	P-68190-21	Conduit - 3/8" x 19-1/2" (Waterproof)	1
52	FE-7-3	Connector - 90° "Sealtite" (1/2" Male Thd. x 3/8" Flex. Cnd.)	1
53	FE-8-10	1/2" Gasket Assy.	1
54	SC-41-10	Fin. Bolt - 5/16"-18 x 5/8" Hex Hd.	4
55	WL-6-22	Lock Washer - 5/16" x .117" x .056"	4
56	NS-15-11	Full Nut - 5/16"-18 Hex Fin.	4



PL-13905

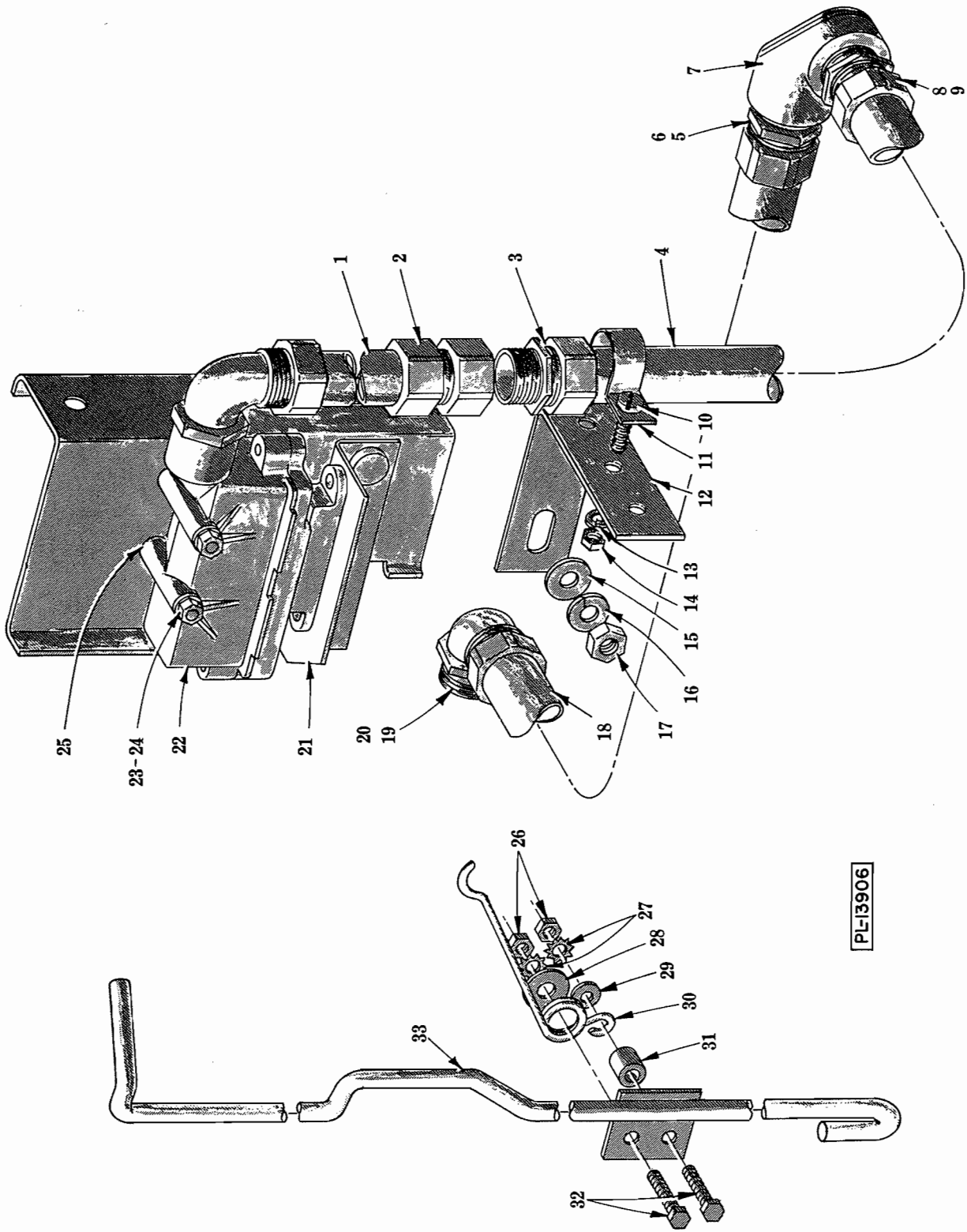
DOOR CYCLE SWITCH

**DOOR CYCLE SWITCH
(AM-10 AND AM-11)**

ILLUS. PL-13905	PART NO.	NAME OF PART	AMT.
*1	FE-18-31	Ell - 90° Long (1/2" Male Thd. x 1/2" Thinwall) -----	1
*2	FE-8-10	1/2" Gasket Assy. -----	1
*3	C-89740-45	Conduit (Cycle Switch To Control Box) -----	1
*4	B-112127	Clamp - 1/2" Cnd. -----	1
*5	WL-6-16	Lock Washer - 1/4" x .107" x .047" -----	1
*6	SC-93-16	Mach. Screw - 1/4"-20 x 9/16" Pan Hd. -----	1
*7	FE-6-45	Connector - Straight (1/2" Male Thd. x 1/2" Thinwall) -----	1
*8	FE-7-6	Connector - Straight "Sealtite" (1/2" Female Thd. x 3/8" Flex. Cnd.) -----	1
*9	P-68190-13	Conduit - 3/8" x 8" Lg. (Waterproof) -----	1
*10	D-111971-1	Interlock Switch & Lead Assy. -----	1
**11	D-111971-2	Interlock Switch & Lead Assy. -----	1
12	WS-19-16	Washer -----	2
13	NS-9-22	Mach. Nut - #10-24 Hex -----	2
14	WL-7-12	Lock Washer - #10 Ext. Shakeproof -----	2
15	C-112130	Bracket & Magnet Assy. -----	1
**16	P-68190-18	Conduit - 3/8" x 15" (Waterproof) -----	1
**17	FE-7-3	Connector - 90° "Sealtite" (1/2" Male Thd. x 3/8" Flex. Cnd.) -----	1
**18	FE-8-10	1/2" Gasket Assy. -----	1
**19	D-111997-2	Box - Junction -----	1
20	NS-15-1	Full Nut - 1/4"-20 Hex Fin. -----	2
21	WL-14-10	Lock Washer - 1/4" Ext. Shakeproof -----	2
22	WS-17-6	Washer -----	1
23	WS-3-48	Washer -----	1
24	C-120237	Spring - Door Cycle -----	1
25	B-120236-1	Bushing -----	1
26	C-111859	Spring Hook & Bracket Sub-Assy. -----	1
27	SC-41-50	Fin. Bolt - 1/4"-20 x 1/2" Hex Hd. -----	1
28	SC-41-1	Fin. Bolt - 1/4"-20 x 3/4" Hex Hd. -----	1
	C-111858	Spring Hook Assy. (Incls. items #20 thru 28) -----	1
	*C-111970-1	Cycle Switch & Bracket Assy. (Incls. items #10, 12, 13, 14 & 15) -----	1
	**C-111970-2	Cycle Switch & Bracket Assy. (Incls. items #11, 12, 13, 14 & 15) -----	1

*R.H. Controls ONLY.

**L.H. Controls ONLY.



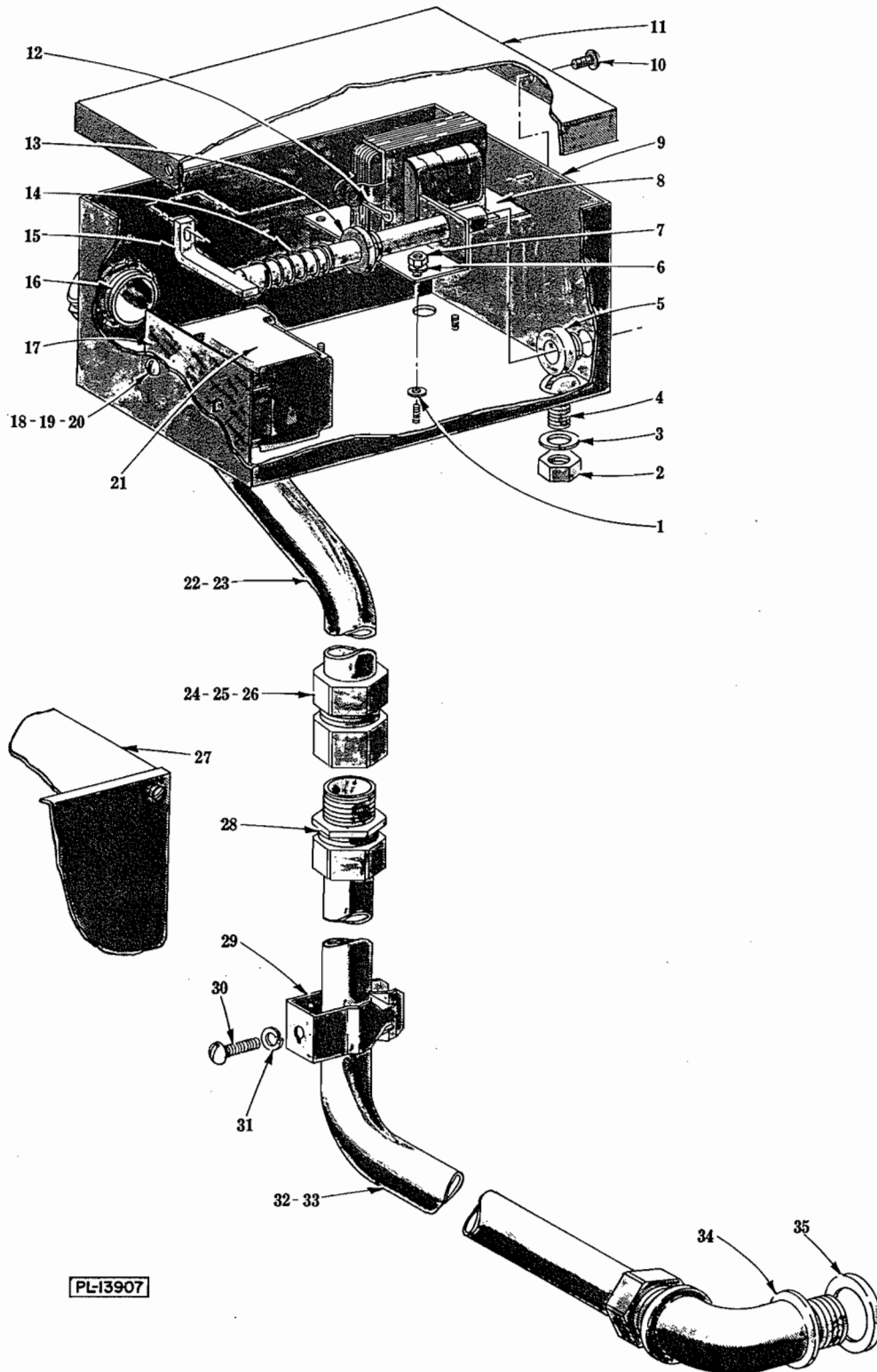
PL-13906

DOOR CYCLE SWITCH

**DOOR CYCLE SWITCH
(AM-11C)**

ILLUS. PL-13906	PART NO.	NAME OF PART	AMT.
1	P-68190-13	Conduit - 3/8" x 8" Lg. (Waterproof)	1
2	FE-7-6	Connector - Straight "Sealtite" (1/2" Female Thd. x 3/8" Flex. Cnd.)	1
3	FE-6-45	Connector - Straight (1/2" Male Thd. x 1/2" Thinwall)	1
4	C-89740-48	Conduit (Door Cycle Switch to Pulling Ell)	1
5	FE-6-45	Connector - Straight (1/2" Male Thd. x 1/2" Thinwall)	1
6	FE-8-10	1/2" Gasket Assy.	1
7	FE-7-31	Ell - 90° x 1/2" Pulling	1
8	FE-6-45	Connector - Straight (1/2" Male Thd. x 1/2" Thinwall)	1
9	FE-8-10	1/2" Gasket Assy.	1
10	SC-53-2	Mach. Screw - #10-24 x 1/2" Truss Hd.	1
11	FE-6-47	Clamp - 1/2" Cnd.	1
12	C-111968	Bracket - Conduit Support	1
13	WL-6-6	Lock Washer - #10 x .055" x .040"	1
14	NS-11-18	Mach. Nut - #10-24 Hex	1
15	WS-5-32	Washer	1
16	WL-6-22	Lock Washer - 5/16" x .117" x .056"	1
17	NS-15-11	Full Nut - 5/16"-18 Hex Fin.	1
18	C-89740-49	Conduit (Pulling Ell to Control Box)	1
19	FE-6-37	Ell - 90° Short (1/2" Male Thd. x 1/2" Thinwall)	1
20	FE-8-10	1/2" Gasket Assy.	1
21	C-112131	Bracket & Magnet Assy.	1
22	D-111971-2	Interlock Switch & Lead Assy.	1
23	NS-9-22	Mach. Nut - #10-24 Hex	2
24	WL-7-12	Lock Washer - #10 Ext. Shakeproof	2
25	WS-19-16	Washer	2
26	NS-15-1	Full Nut - 1/4"-20 Hex Fin.	2
27	WL-14-10	Lock Washer - 1/4" Ext. Shakeproof	2
28	WS-17-6	Washer	1
29	WS-3-48	Washer	1
30	C-120237	Spring - Door Cycle	1
31	B-120236-2	Bushing	1
32	SC-41-1	Fin. Bolt - 1/4"-20 x 3/4" Hex Hd.	2
33	C-111860	Spring Hook & Bracket Sub-Assy.	1
	C-111861	Spring Hook Assy. (Incls. items #26 thru 33)	1
	C-111969	Cycle Switch & Bracket Assy. (Incls. items #21 thru 25)	1

AM-10 REPLACEMENT PARTS



DOOR LOCK

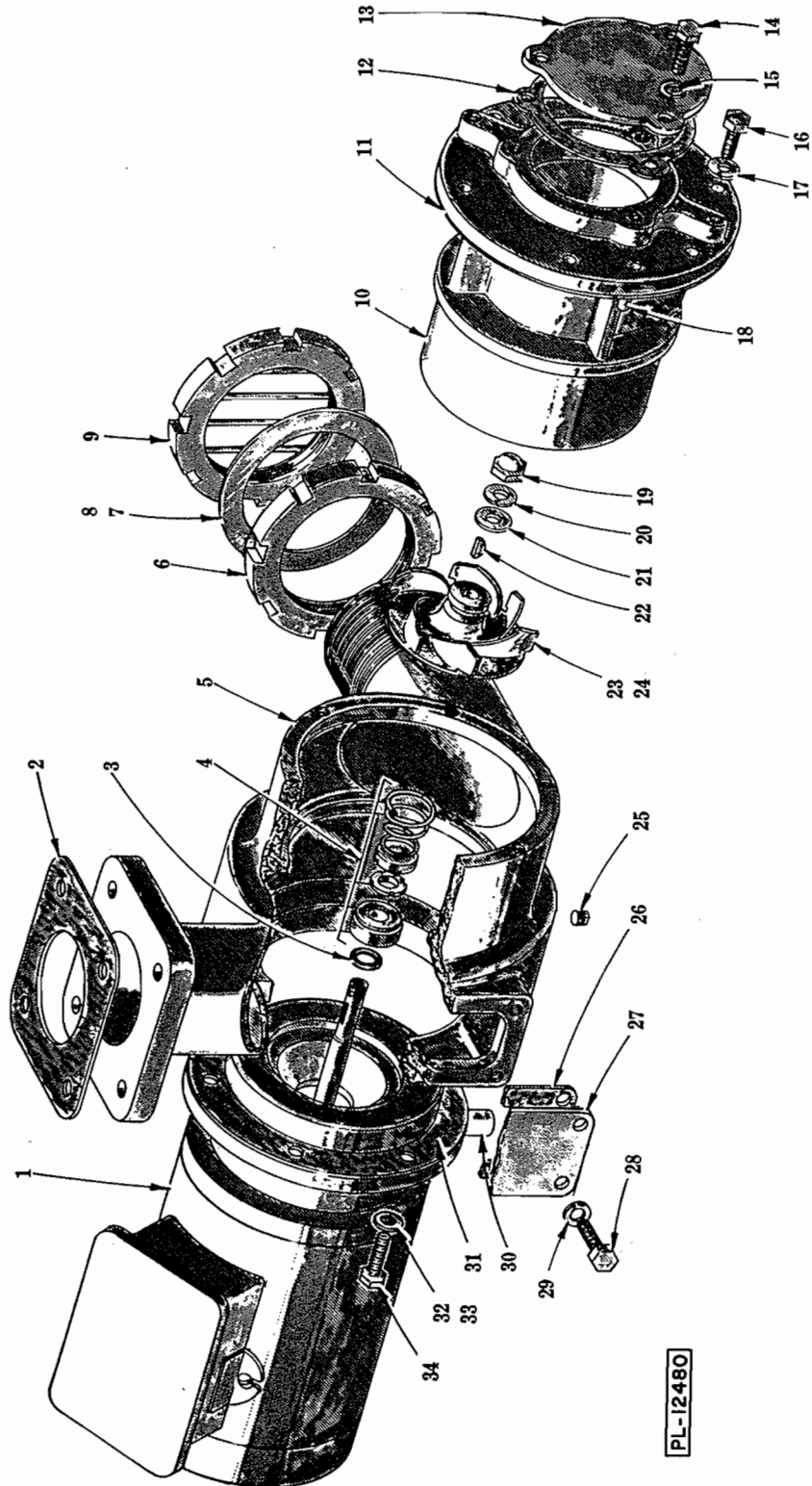
DOOR LOCK

ILLUS. PL-13907	PART NO.	NAME OF PART	AMT.
1	WS-23-1	Washer	3
2	NS-15-11	Full Nut - 5/16"-18 Hex Fin.	3
3	WL-6-22	Lock Washer - 5/16" x .117" x .056"	3
4	SC-21-52	Mach. Screw - 5/16"-18 x 5/8" Rd. Hd.	3
5	B-112078	Bushing - Door Lock	1
6	WL-6-40	Lock Washer - #6 x .040" x .025"	3
7	NS-11-7	Mach. Nut - #6-32 Hex	3
8	B-112103	Plate & Solenoid Sub-Assy.	1
9	D-112070-1	Door Lock Box Sub-Assy.	1
10	SD-8-18	Self-Tapping Screw - #8 x 3/8" Phil. Bind. Hd., Type B	2
11	C-112071	Cover - Door Lock	1
12	PC-5-17	Cotter Pin - .125" x 3/4"	1
13	B-112078	Bushing - Door Lock	1
14	B-112080	Spring - Door Lock	1
15	B-112075	Drive Arm Sub-Assy.	1
16	FE-7-2	Connector - 45° "Sealtite" (1/2" Male Thd. x 3/8" Flex. Cnd.)	1
17	B-112173	Insulator - Relay	1
18	SC-21-8	Mach. Screw - #6-32 x 3/8" Rd. Hd.	1
19	WL-6-40	Lock Washer - #6 x .040" x .025"	1
20	NS-11-7	Mach. Nut - #6-32 Hex	1
21	B-205113-3	Relay (3 PDT)	1
*,**22	P-68190-28	Conduit - 3/8" x 18" (Waterproof)	1
*,**23	P-68190-23	Conduit - 3/8" x 32" (Waterproof)	1
*,**24	FE-7-6	Connector - Straight "Sealtite" (1/2" Female Thd. x 3/8" Flex. Cnd.)	1
*,**25	FE-7-3	Connector - 90° "Sealtite" (1/2" Male Thd. x 3/8" Flex. Cnd.)	1
*,**26	FE-8-10	1/2" Gasket Assy.	1
*,**27	D-111997-2	Junction Box	1
*,**28	FE-6-45	Connector - Straight (1/2" Male Thd. x 1/2" Thinwall)	1
*,**29	B-112127	Clamp - 1/2" Cnd.	1
*,**30	SC-93-16	Mach. Screw - 1/4"-20 x 9/16" Pan Hd.	1
*,**31	WL-6-16	Lock Washer - 1/4" x .107" x .047"	1
*,**32	C-112082	Conduit - 1/2" (Coupling to Control Box)	1
*,**33	D-112128	Conduit - 1/2" (Coupling to Control Box)	1
*,**34	FE-18-31	Ell - 90° Long (1/2" Male Thd. x 1/2" Thinwall)	1
*,**35	FE-8-10	1/2" Gasket Assy.	1
	C-112081	Door Lock Assy. (Incls. items #1, 5 thru 9 and 12, 13, 14, 15, 17, 18, 19, 20 & 21)	1

*AM-10 & AM-11 R.H. Controls.

**AM-11C R.H. Controls.

***AM-10 & AM-11 L.H. Controls.



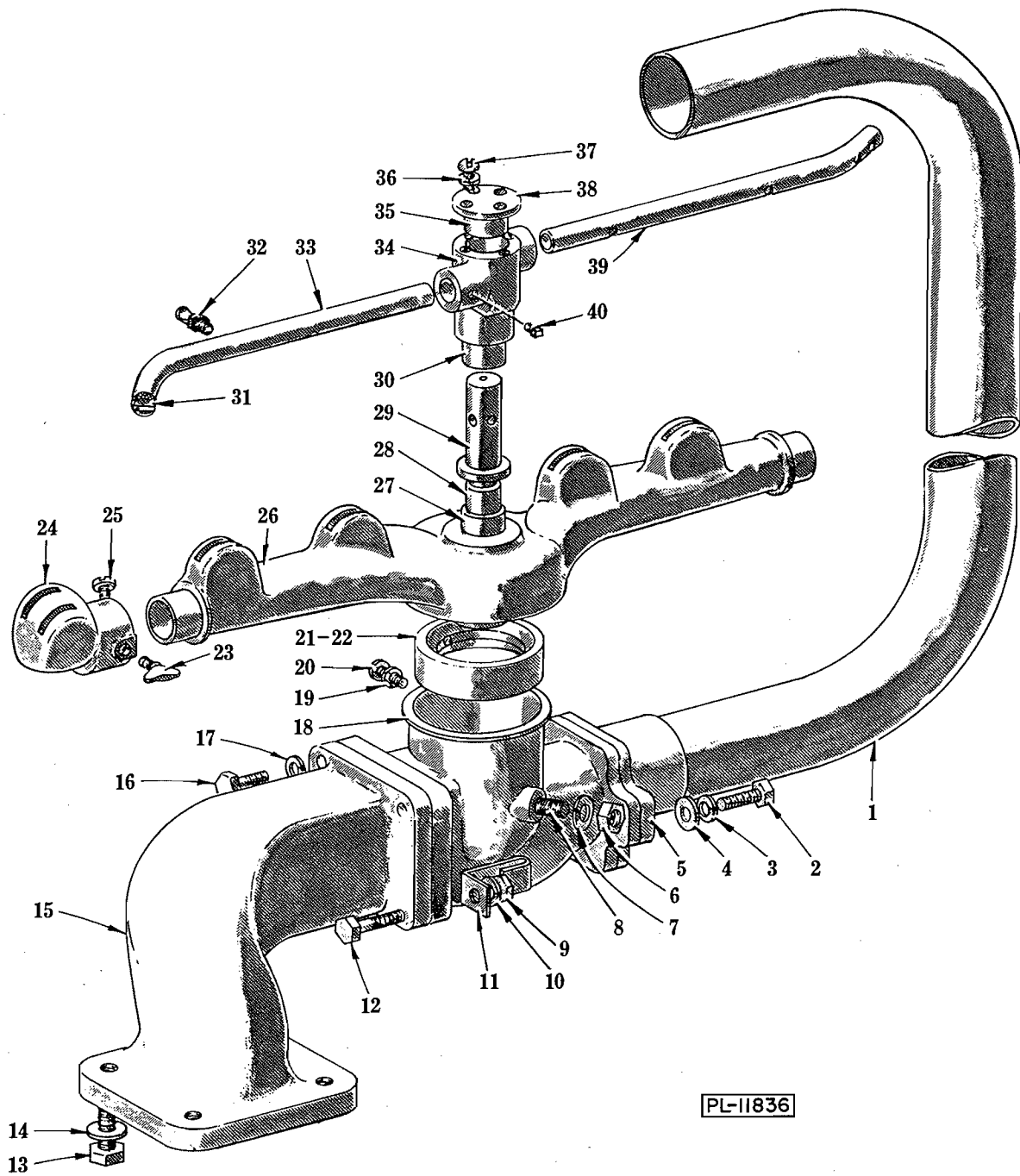
PL-12480

MOTOR AND PUMP UNIT

**MOTOR AND PUMP UNIT
(H-6-F)**

ILLUS. PART PL-12480 NO.	NAME OF PART	AMT.
1	Motor (see separate Motor Parts Sheet)	1
2	P-9934-1 Gasket - Pump Outlet	1
3	D-67500-7 "O" Ring	1
4	A-104329 Shaft Seal Assy. - 5/8"	1
5	T-77726 Shell - Pump	1
6	M-9925 Lock Nut - Inlet	2
7	WS-16-18 Washer	2
8	508458 Sealer (1/4" Rd.)	As Req'd.
9	P-87954 Pump Intake Screen Assy. (Not Furnished)	1
10	S-77727 Plate - Face	1
*11	M-80432 Face Plate Gasket Kit (1 Set consists of: 1 Blue (.005" Thk.); 1 Brown (.010" Thk.); and 1 Yellow (.020" Thk.))	1 Set
12	P-22465 Gasket - Face Plate Cover	1
13	B-112558 Cover - Face Plate	1
14	SC-41-10 Fin. Bolt - 5/16"-18 x 5/8" Hex Hd.	3
15	WL-3-43 Lock Washer - 5/16" x .117" x .056"	3
16	SC-41-12 Fin. Bolt - 5/16"-18 x 7/8" Hex Hd.	6
17	WL-3-43 Lock Washer - 5/16" x .117" x .056"	6
18	D-11800-37 Dowel	1
19	NS-24-6 Acorn Nut - 7/16"-20	1
20	WL-6-32 Lock Washer - 7/16" x .154" x .085"	1
21	WS-21-1 Washer	1
22	KW-3-3 Key - #404 Woodruff	1
23	P-74299 Impeller (60 Hz.)	1
24	P-74542 Impeller (50 Hz.)	1
25	FP-52-20 Plug - 1/8" Sq. Hd. Pipe	1
26	M-12137 Gasket	1
27	B-112478 Cover - Hand Hole	1
28	SC-41-10 Fin. Bolt - 5/16"-18 x 5/8" Hex Hd.	4
29	WL-3-43 Lock Washer - 5/16" x .117" x .056"	4
30	FP-64-15 Nipple - 3/8" x 2-1/4" Lg. (S.T.O.E.)	1
31	P-104032 Gasket	1
32	WS-17-8 Washer	6
33	508454 Sealer (1/8" Rd.)	As Req'd.
34	SC-41-12 Fin. Bolt - 5/16"-18 x 7/8" Hex Hd.	6
	M-80431-1 H-6-F Pump Sub-Assy. (60 Hz.) (Incls. items #2, 3, 4, 5, 6, 7, 10, 11, 12, 13, 14, 15, 16, 17, 18, 19, 20, 21, 22, 23, 25, 26, 27, 28, 29, 31, 32 & 34)	1
	M-80431-2 H-6-F Pump Sub-Assy. (50 Hz.) (Incls. items #2, 3, 4, 5, 6, 7, 10, 11, 12, 13, 14, 15, 16, 17, 18, 19, 20, 21, 22, 24, 25, 26, 27, 28, 29, 31, 32 & 34)	1

* Select gasket to obtain .008" to .010" clearance between face plate and impeller.

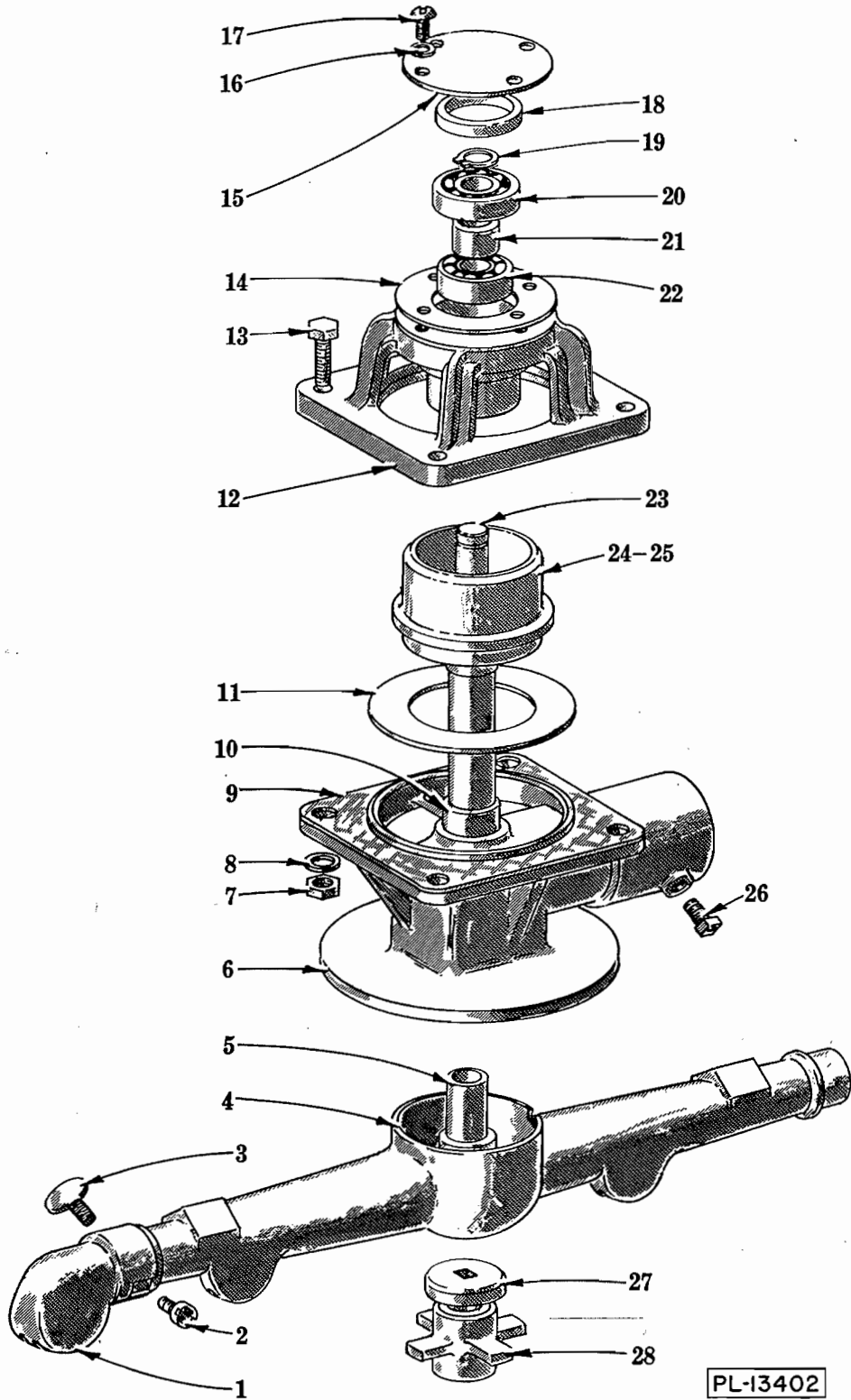


PL-11836

LOWER WASH AND RINSE UNIT

LOWER WASH AND RINSE UNIT

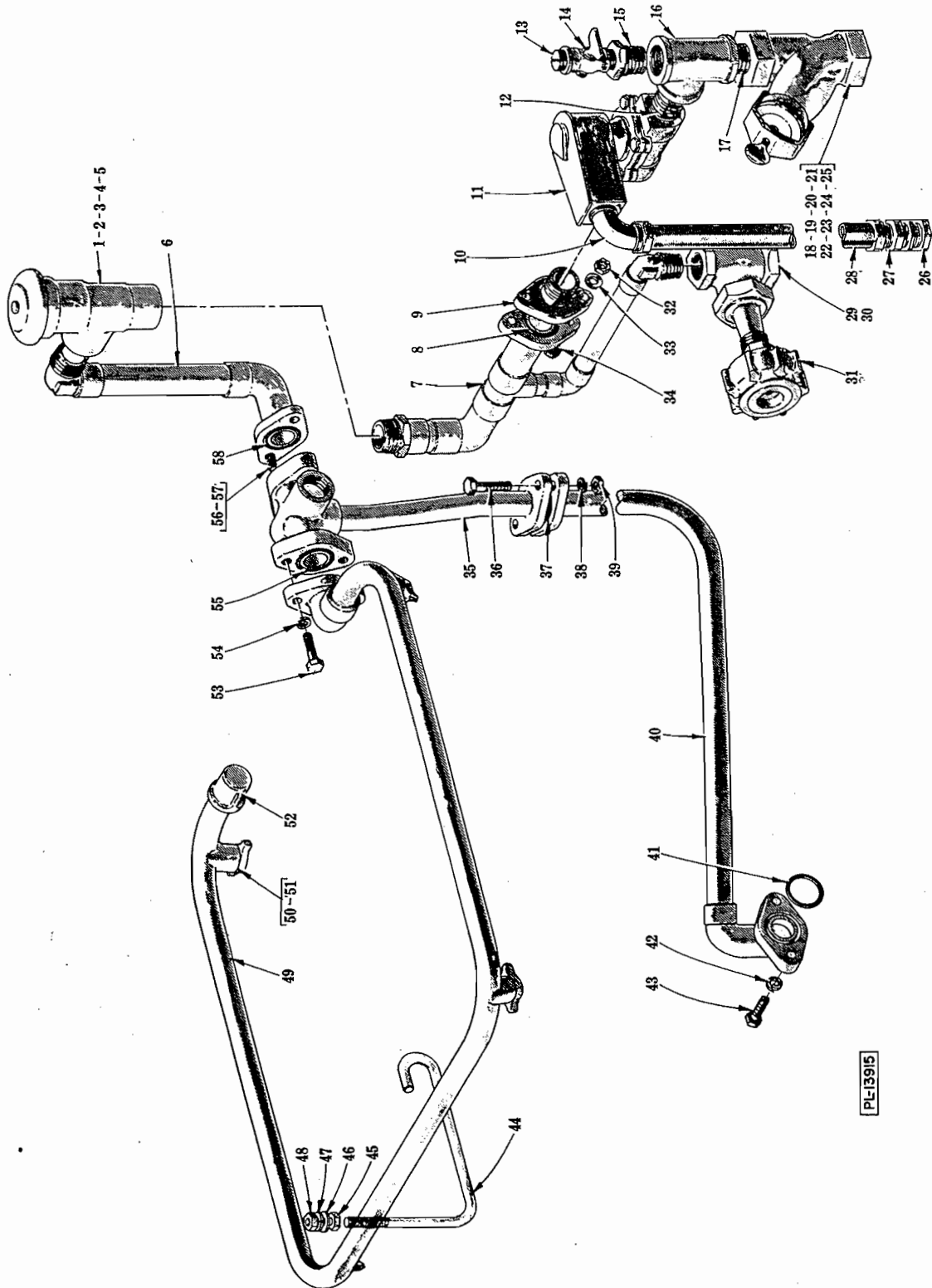
ILLUS. PL-11836	PART NO.	NAME OF PART	AMT.
1	R-24907-1	Pipe - Upper Wash -----	1
2	SC-41-13	Fin. Bolt - 5/16"-18 x 1" Hex Hd. -----	2
3	WL-6-22	Lock Washer - 5/16" x .117" x .056" -----	2
4	WS-17-21	Washer -----	2
5	R-22430	Collar - Upper Wash Pipe Adjusting -----	1
6	NS-15-14	Full Nut - 3/8"-24 Hex Fin. -----	1
7	WL-6-27	Lock Washer - 3/8" x .136" x .070" -----	1
8	V-22420	Pin - Retaining -----	1
9	NS-18-6	Jam Nut - 5/16"-18 Hex Fin. -----	1
10	WL-6-22	Lock Washer - 5/16" x .117" x .056" -----	1
11	P-74097	Bracket - Thermometer -----	1
12	SC-41-16	Fin. Bolt - 5/16"-18 x 1-3/8" Hex Hd. -----	1
13	SC-41-32	Fin. Bolt - 3/8"-16 x 1-1/2" Hex Hd. -----	4
14	WS-6-44	Washer -----	4
15	S-77889	Manifold - Wash -----	1
16	SC-41-13	Fin. Bolt - 5/16"-18 x 1" Hex Hd. -----	3
17	WL-6-22	Lock Washer - 5/16" x .117" x .056" -----	4
18	S-63458	Tee - Lower Wash -----	1
19	WL-6-6	Lock Washer - #10 x .055" x .040" -----	1
20	SC-21-22	Mach. Screw - #10-24 x 3/8" Rd. Hd. -----	1
21	P-74438-1	Collar - Pressure Reducing (2" I.D.) (Std. Wt. Dishes) -----	1
22	P-74438-2	Collar - Pressure Reducing (1-13/16" I.D.) (Light Wt. Dishes) -----	1
23	M-14494-1	Thumb Screw -----	2
24	R-22423	Nozzle - Lower Wash Arm -----	2
25	SC-24-1	Mach. Screw - 1/4"-20 x 1/4" Fil. Hd. -----	2
26	R-77325-1	Lower Wash Arm & Bearing Sub-Assy. (Incls. item #27) -----	1
27	M-111286	Bearing - Lower Wash Arm -----	1
28	M-22419	Pin - Lower Wash Arm Bearing -----	1
29	M-24360	Bearing Pin & Thrust Washer Assy. -----	1
30	V-22426	Bearing - Lower -----	1
31	M-74046	Plug - Rinse Arm -----	2
32	M-22731-3	Nozzle - Rinse Arm -----	9
33	R-89159	Arm - Inside Rinse -----	1
34	P-74164	Rinse Arm Body Assy. (Incls. items #30 & 35) -----	1
35	V-111288	Bearing - Upper -----	1
36	WL-6-1	Lock Washer - #8 x .047" x .031" -----	4
37	SC-21-14	Mach. Screw - #8-32 x 3/8" Rd. Hd. -----	4
38	V-21137	Plate - Pivot Bearing -----	1
39	R-89158	Arm - Outside Rinse -----	1
40	SC-50-26	Set Screw - #10-24 x 3/8" Sq. Hd., Cup Pt. -----	2
	R-77440-1	Lower Wash Arm & Nozzle Assy. (Incls. items #23, 24, 25 & 26) -----	1
	S-89160	Lower Rinse Arm Assy. (Incls. items #31, 32, 33, 34, 36, 37, 38, 39 & 40) -----	1



UPPER WASH UNIT

UPPER WASH UNIT

ILLUS. PL-13402	PART NO.	NAME OF PART	AMT.
1	P-22060	Nozzle - Upper Wash Arm -----	2
2	SC-24-1	Mach. Screw - 1/4"-20 x 1/4" Fil. Hd. -----	2
3	M-14494-1	Thumb Screw -----	2
4	R-66484	Upper Wash Arm Sub-Assy. (Incls. item #5) -----	1
5	V-14521	Bushing - Upper Wash Arm -----	1
6	S-66494-1	Upper Wash Ell & Bearing Assy. (Incls. item #10) -----	1
7	NS-15-11	Full Nut - 5/16"-18 Hex Fin. -----	4
8	WL-6-22	Lock Washer - 5/16" x .117" x .056" -----	4
9	P-9977	Gasket - Upper Wash Ell -----	1
10	M-85139	Bushing - Upper Wash Ell -----	1
11	M-9984	Plate - Baffle -----	1
12	R-79123	Housing - Bearing -----	1
13	SC-41-15	Fin. Bolt - 5/16"-18 x 1-1/4" Hex Hd. -----	4
14	M-9959	Gasket - Cover -----	1
15	M-79166	Cover - Bearing Housing -----	1
16	WL-6-6	Lock Washer - #10 x .055" x .040" -----	4
17	SC-21-22	Mach. Screw - #10-24 x 3/8" Rd. Hd. -----	4
18	M-79167	Spacer - Upper Bearing -----	1
19	RR-7-12	Retaining Ring -----	1
20	BB-5-53	Ball Bearing - Hoover #302 (Upper) -----	1
21	V-9904	Spacer - Bearing -----	1
22	BB-5-55	Ball Bearing - Hoover #202 (Lower) -----	1
23	C-112386	Shaft - Upper Wash Arm -----	1
24	P-14519-1	Reservoir - Oil -----	1
25	C-112387	Oil Reservoir & Shaft Assy. (Incls. items #23 & 24) -----	1
26	SC-50-7	Set Screw - 5/16"-18 x 5/8" Sq. Hd., Cup Pt. -----	2
27	V-14523	Plate - Upper Wash Arm Drive -----	1
28	P-61834-1	Knob - Upper Wash Arm -----	1
	C-112388	Upper Wash Arm Bearing Housing Assy. (Incls. items #12, 14, 15, 16, 17, 18, 19, 20, 21, 22 & 25) -----	1
	R-66485	Upper Wash Arm & Nozzle Assy. (Incls. items #1, 2, 3, 4 & 27) -----	1

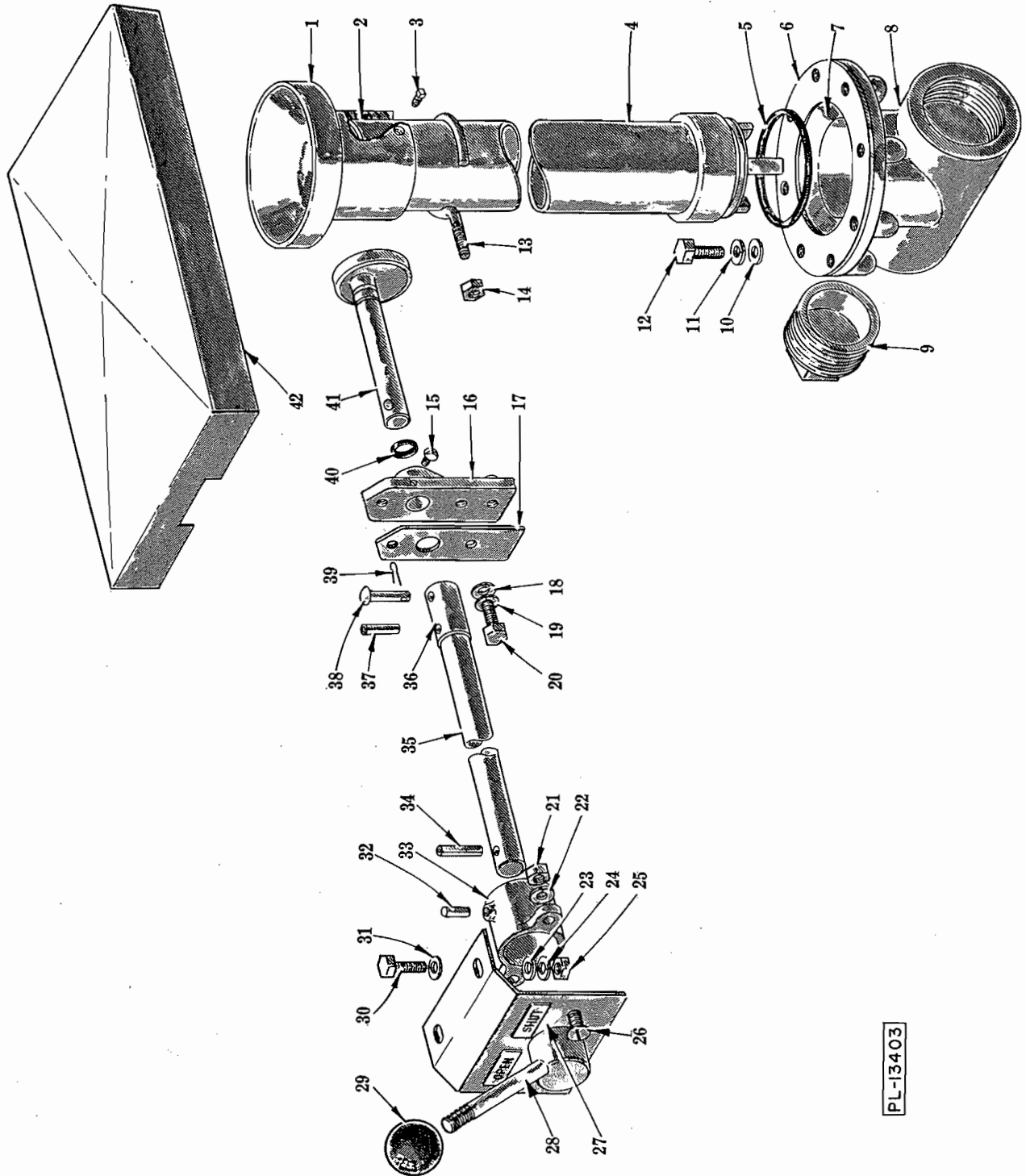


PL-13915

FILL AND UPPER RINSE UNIT

FILL AND UPPER RINSE UNIT

ILLUS. PL-13915	PART NO.	NAME OF PART	AMT.
1	M-74338	Vacuum Breaker - 3/4" (Incls. items #2, 3, 4 & 5)	1
2	M-74342	Collar - Vacuum Breaker	1
3	M-74341	Float - Vacuum Breaker	1
4	M-74340	"O" Ring - Vacuum Breaker	1
5	M-74339	Gasket - Vacuum Breaker	1
6	C-112009	Connector Assy. (Upper Rinse to Vacuum Breaker)	1
7	C-112010	Pipe Assy.	1
8	D-67500-12	"O" Ring	1
9	P-63262-6	Flange & Nipple Assy.	1
10	FE-7-3	Connector - 90° "Sealtite" (1/2" Male Thd. x 3/8" Flex. Cnd.)	1
11	M-89445-5	Solenoid Valve - 3/4" (115 V., 50/60 Hz.) (Pilot Circuit)	1
12	FP-41-50	Nipple - 3/4" x 1-3/8" Lg. (T.B.E.)	1
13	FP-28-46	Plug - 1/4" Pipe (Slotted)	1
14	P-86218	Pet Cock - 1/4"	1
15	FP-27-15	Bushing - 3/4" to 1/4" Reducing	1
16	FP-19-28	Tee - 3/4"	1
17	FP-41-50	Nipple - 3/4" x 1-3/8" Lg. (T.B.E.)	1
18	M-82228	Line Strainer (3/4") (Cast Iron) (Incls. items #20, 21, 23, 24 & 25)	1
19	A-102516	Line Strainer (3/4") (Brass) (Incls. items #20, 22, 23, 24 & 25)	1
20	M-82231	Screen (3/4" Line Strainer)	1
21	M-82234	Plate - Seal (3/4" Line Strainer) (Use with item #18)	1
22	A-102517	Plate - Seal (3/4" Line Strainer) (Use with item #19)	1
23	M-82236	Clamp (3/4" Line Strainer)	1
24	M-82238	Thumb Screw	1
25	D-67500-59	"O" Ring (3/4" Line Strainer)	1
26	FE-6-45	Connector - Straight (1/2" Male Thd. x 1/2" Thinwall)	1
27	FE-7-6	Connector - Straight "Sealtite" (1/2" Female Thd. x 3/8" Flex. Cnd.)	1
28	P-68190-52	Conduit - 3/8" x 15-3/8" (Waterproof)	1
29	M-65545	Valve - 1/2" Globe (Incls. item #30)	1
30	FP-9-7	Disc - 1/2" Valve	1
31	P-70149-3	Handle - Valve	1
32	NS-15-11	Full Nut - 5/16"-18 Hex Fin.	2
33	WL-6-22	Lock Washer - 5/16" x .117" x .056"	2
34	SC-41-15	Fin. Bolt - 5/16"-18 x 1-1/4" Hex Hd.	2
35	R-89374	Upper Rinse Connection Pipe Sub-Assy.	1
36	SC-41-15	Fin. Bolt - 5/16"-18 x 1-1/4" Hex Hd.	2
37	D-67500-12	"O" Ring	1
38	WL-6-22	Lock Washer - 5/16" x .117" x .056"	2
39	NS-15-11	Full Nut - 5/16"-18 Hex Fin.	2
40	S-74451	Lower Rinse Connection Pipe Assy.	1
41	D-67500-12	"O" Ring	1
42	WL-6-22	Lock Washer - 5/16" x .117" x .056"	2
43	SC-41-12	Fin. Bolt - 5/16"-18 x 7/8" Hex Hd.	2
44	B-103232	Support - Upper Rinse Pipe	1
45	NS-15-11	Full Nut - 5/16"-18 Hex Fin.	1
46	WS-17-1	Washer	1
47	WL-6-22	Lock Washer - 5/16" x .117" x .056"	1
48	NS-15-11	Full Nut - 5/16"-18 Hex Fin.	1
49	S-89167	Upper Rinse Piping	1
50	R-14524	Core - Rinse Nozzle	4
51	P-103952	Top - Rinse Nozzle	4
52	FP-29-14	Cap - 3/4" Pipe	1
53	SC-41-15	Fin. Bolt - 5/16"-18 x 1-1/4" Hex Hd.	2
54	WL-6-22	Lock Washer - 5/16" x .117" x .056"	2
55	D-67500-12	"O" Ring	1
56	SC-41-15	Fin. Bolt - 5/16"-18 x 1-1/4" Hex Hd.	2
57	WL-6-22	Lock Washer - 5/16" x .117" x .056"	2
58	D-67500-12	"O" Ring	1
	M-74343	Vacuum Breaker Float & Seal Sub-Assy. (Incls. items #2, 3, 4 & 5)	1

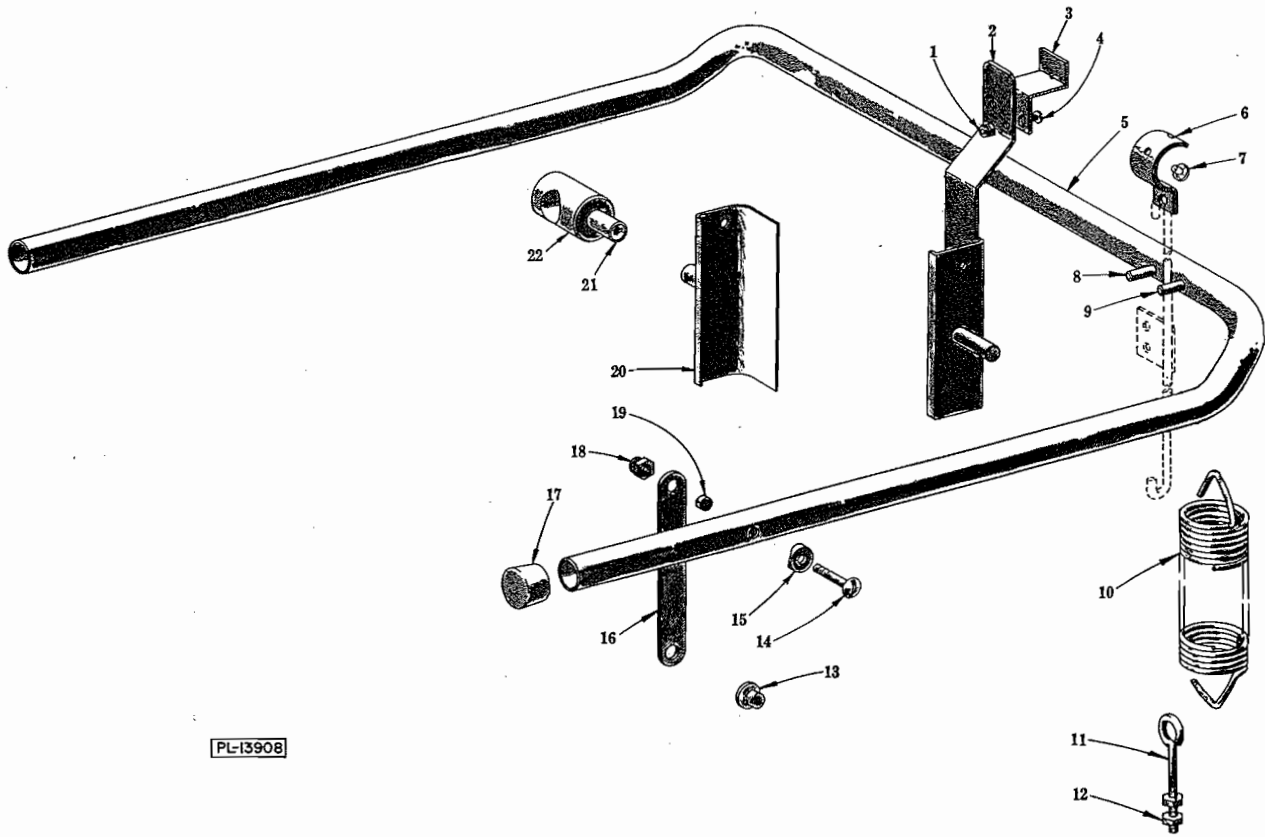


PL-13403

DRAIN UNIT

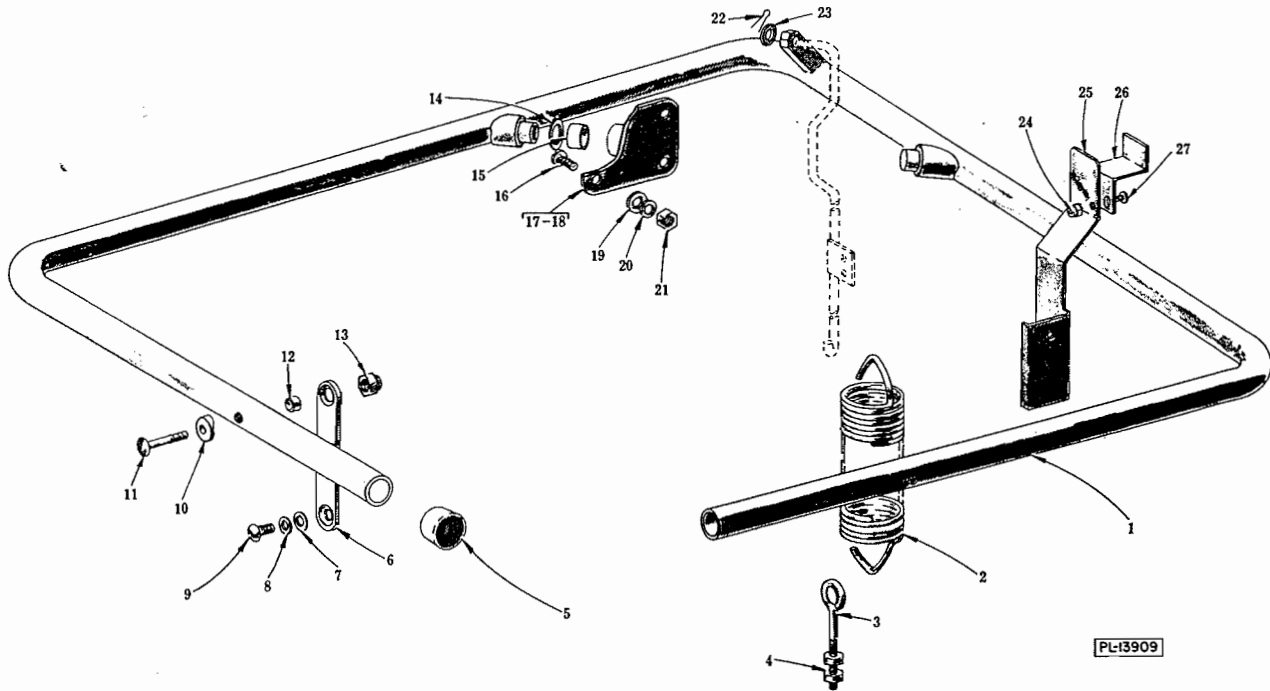
DRAIN UNIT

ILLUS. PL-13403	PART NO.	NAME OF PART	AMT.
1	M-88263	Drain Overflow & "O" Ring Sub-Assy. (Incls. items #2 & 3)	1
2	D-67500-22	"O" Ring	1
3	SC-50-27	Set Screw - #10-24 x 1/2" Sq. Hd., Cup Pt.	3
4	M-74951	Overflow Pipe, Drain Plug & "O" Ring Sub-Assy. (Incls. item #5)	1
5	D-67500-16	"O" Ring	1
6	M-12077	Gasket - Drain Valve	1
7	C-106283	Sleeve - Drain Valve Body	1
8	A-107164	Drain Valve Body & Sleeve Assy. (Incls. item #7)	1
9	FP-28-32	Plug - 2" Sq. Hd. Pipe	1
10	WS-6-44	Washer	8
11	WL-6-27	Lock Washer - 3/8" x .136" x .070"	8
12	SC-41-28	Fin. Bolt - 3/8"-16 x 3/4" Hex Hd.	8
13	M-74045	Support - Drain Pipe	1
14	NS-15-11	Full Nut - 5/16"-18 Hex Fin.	1
15	SC-21-21	Mach. Screw - #10-24 x 1/4" Rd. Hd.	1
16	P-74088	Bracket - Drain Support	1
17	M-74044	Gasket - Drain Support Bracket	1
18	WS-17-8	Washer	2
19	WL-6-22	Lock Washer - 5/16" x .117" x .056"	2
20	SC-41-10	Fin. Bolt - 5/16"-18 x 5/8" Hex Hd.	2
21	NS-15-11	Full Nut - 5/16"-18 Hex Fin.	2
22	WL-6-22	Lock Washer - 5/16" x .117" x .056"	2
23	WS-17-8	Washer	2
24	WL-6-22	Lock Washer - 5/16" x .117" x .056"	2
25	NS-15-11	Full Nut - 5/16"-18 Hex Fin.	2
26	SC-53-17	Mach. Screw - 5/16"-18 x 3/4" Truss Hd.	2
27	B-112523	Drain Lift Bracket & Identification Plate Sub-Assy.	1
28	M-74054	Handle & Drain Lift Hub Sub-Assy.	1
29	M-60468	Knob	1
30	SC-41-11	Fin. Bolt - 5/16"-18 x 3/4" Hex Hd.	2
31	WS-17-8	Washer	2
32	D-11800-249	Dowel	1
33	P-74082	Bearing - Drain Lift Hub	1
34	RP-2-3	Rollpin - 3/16" Dia. x 1-1/4" Lg.	1
35	P-74080	Shaft - Drain Lift Handle	1
36	M-74052	Coupling - Drain Shaft	1
37	RP-2-10	Rollpin - 3/16" Dia. x 1" Lg.	1
38	M-74053	Pin - Coupling	1
39	PC-4-7	Cotter Pin - 1/16" x 5/8"	1
40	D-67500-6	"O" Ring	2
41	P-74077	Drain Lift & Shaft Assy.	1
42	D-112416	Cover - Overflow	1



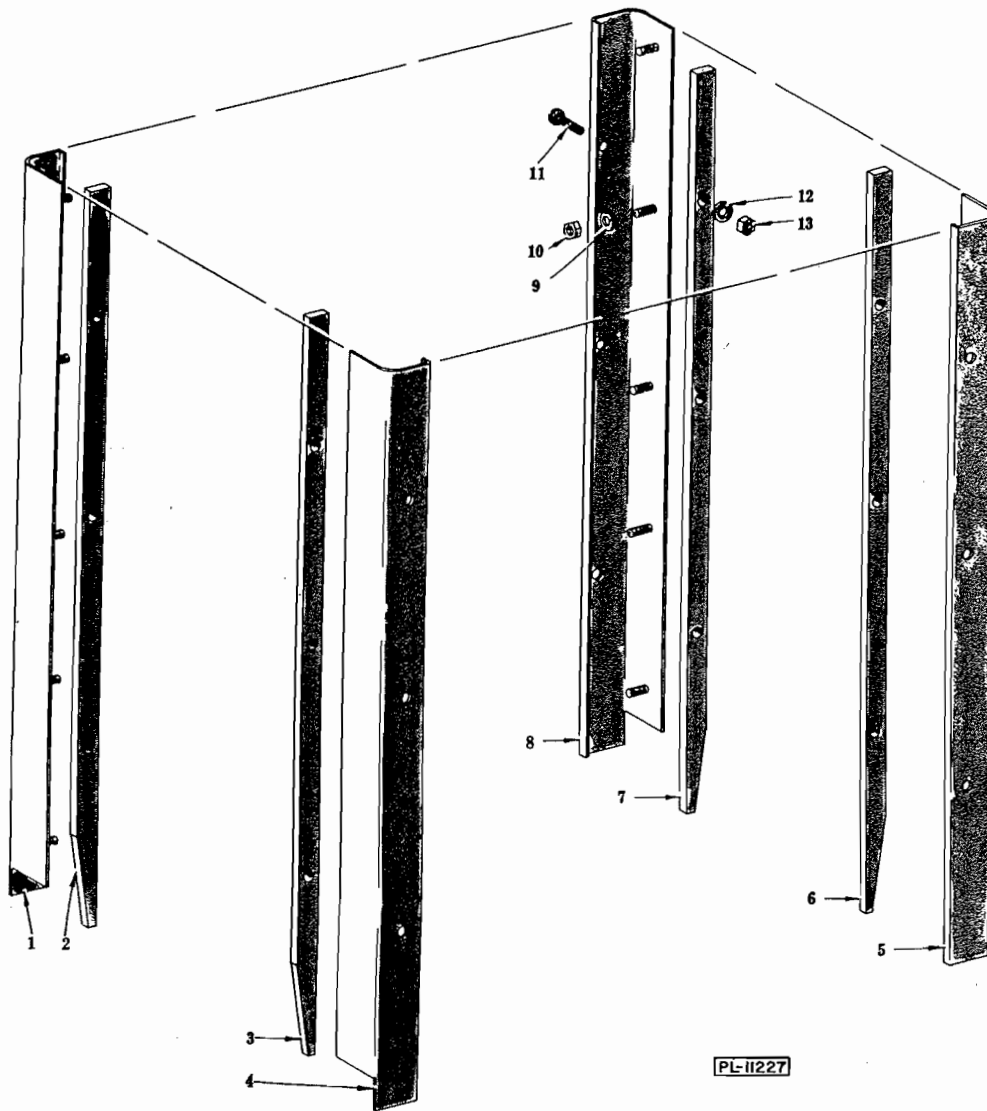
**DOOR LIFT UNIT
(STRAIGHT THRU INSTALLATION)**

ILLUS. NO.	PART NO.	NAME OF PART	AMT.
1	NS-31-15	Stop Nut - #10-24 "Elastic"	2
2	P-78656	Pivot & Pipe Support Brkt. Assy.	1
3	P-78654	Support - Pipe	1
4	SC-21-23	Mach. Screw - #10-24 x 1/2" Rd. Hd.	2
5	R-74283	Door Lift Handle Assy. (Incls. item #9)	1
6	P-79008	Hanger - Co-Balance Spring	1
7	M-79007	Button - Bearing	2
8	RP-3-22	Rollpin - 3/16" Dia. x 1-1/2" Lg.	1
9	RP-3-22	Rollpin - 3/16" Dia. x 1-1/2" Lg.	1
10	R-74523	Spring - Co-Balance	1
11	M-74895	Eyebolt	1
12	NS-13-14	Full Nut - 5/16"-18 Hex Fin.	2
13	M-74449	Push Nut	2
14	SC-53-23	Mach. Screw - 5/16"-18 x 1-3/4" Truss Hd.	2
15	B-118599	Spacer - Door Lift Arm	2
16	M-74067	Link - Door	2
17	M-74282	Plug - Door Lift Handle (Use adhesive to retain)	2
18	NS-32-35	Stop Nut - 5/16"-18 "Flexloc"	2
19	M-74068	Spacer - Door Link	2
20	P-74092	L.H. Rear Pivot Assy.	1
21	M-74058	Bushing - Door Lift Pin	2
22	M-74057	Block - Pivot	2



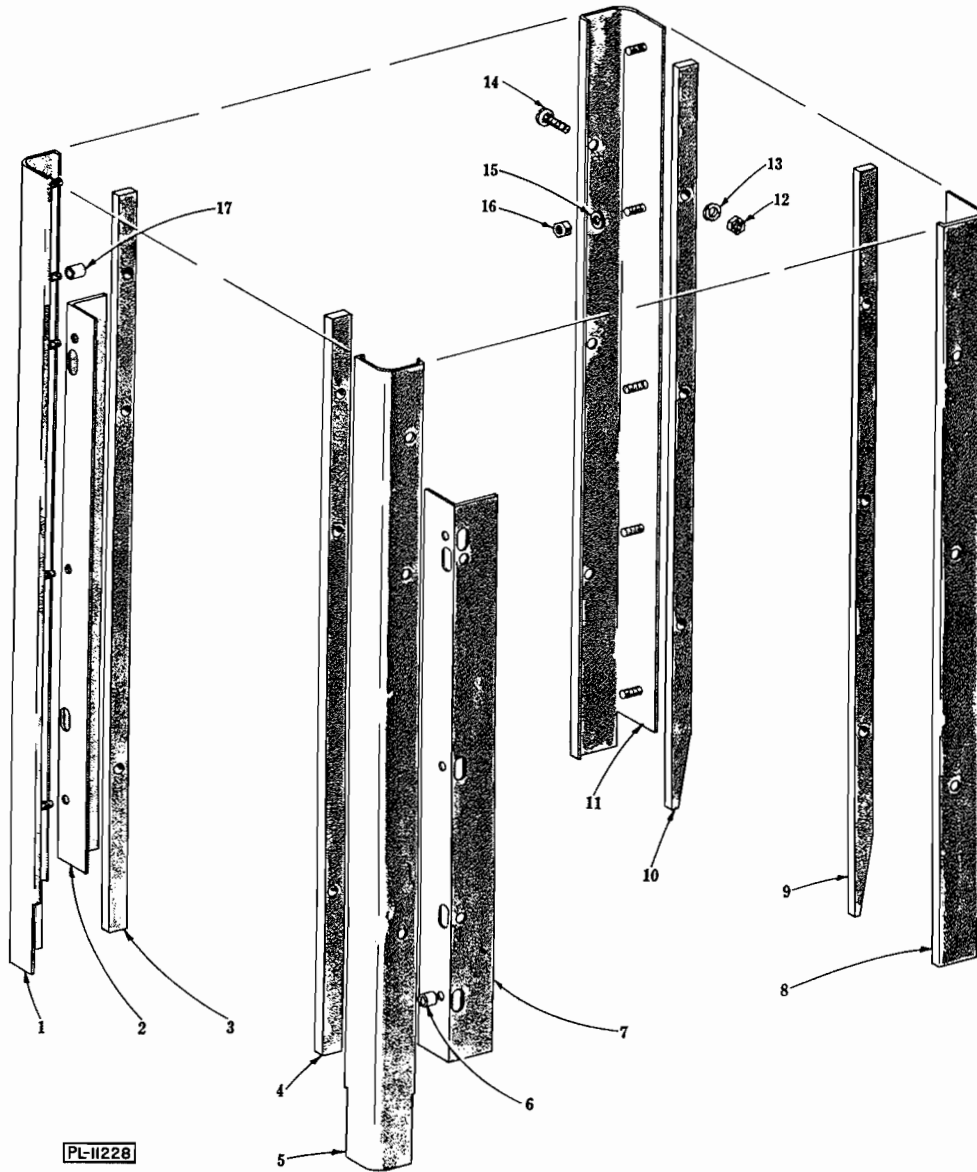
**DOOR LIFT UNIT
(CORNER INSTALLATION)**

ILLUS. NO.	PART NO.	NAME OF PART	AMT.
1	T-74536	Door Lift Assy. -----	1
2	R-74523	Spring - Co-Balance -----	1
3	M-74895	Eyebolt -----	1
4	NS-13-14	Full Nut - 5/16"-18 Hex Fin. -----	2
5	M-74282	Plug - Door Lift Handle (Use adhesive to retain) -----	2
6	M-74539	Link - Door Lift -----	2
7	WS-19-39	Washer -----	2
8	WL-6-6	Lock Washer - #10 x .055" x .040" -----	2
9	SC-53-2	Mach. Screw - #10-24 x 1/2" Truss Hd. -----	2
10	B-118599	Spacer - Door Lift Arm -----	2
11	SC-53-23	Mach. Screw - 5/16"-18 x 1-3/4" Truss Hd. -----	2
12	M-74068	Spacer - Door Link -----	2
13	NS-32-35	Stop Nut - 5/16"-18 "Flexloc" -----	2
14	WS-10-42	Washer -----	As Reqd.
15	M-74532	Bushing -----	2
16	SC-53-16	Mach. Screw - 5/16"-18 x 3/4" Truss Hd. -----	8
17	B-107431	Short Pivot Assy. (Panel) -----	1
18	B-107432	Long Pivot Assy. (Wash Chamber) -----	1
19	WS-17-8	Washer -----	8
20	WL-6-22	Lock Washer - 5/16" x .117" x .056" -----	8
21	NS-15-11	Full Nut - 5/16"-18 Hex Fin. -----	8
22	PC-5-11	Cotter Pin - 3/32" x 3/4" -----	1
23	WS-17-8	Washer -----	1
24	NS-31-15	Stop Nut - #10-24 "Elastic" -----	2
25	P-78655	Door Guide Brkt. & Pipe Support Brkt. Assy. -----	1
26	P-78654	Support - Pipe -----	1
27	SC-21-23	Mach. Screw - #10-24 x 1/2" Rd. Hd. -----	2



**DOOR GUIDES
(AM-10)**

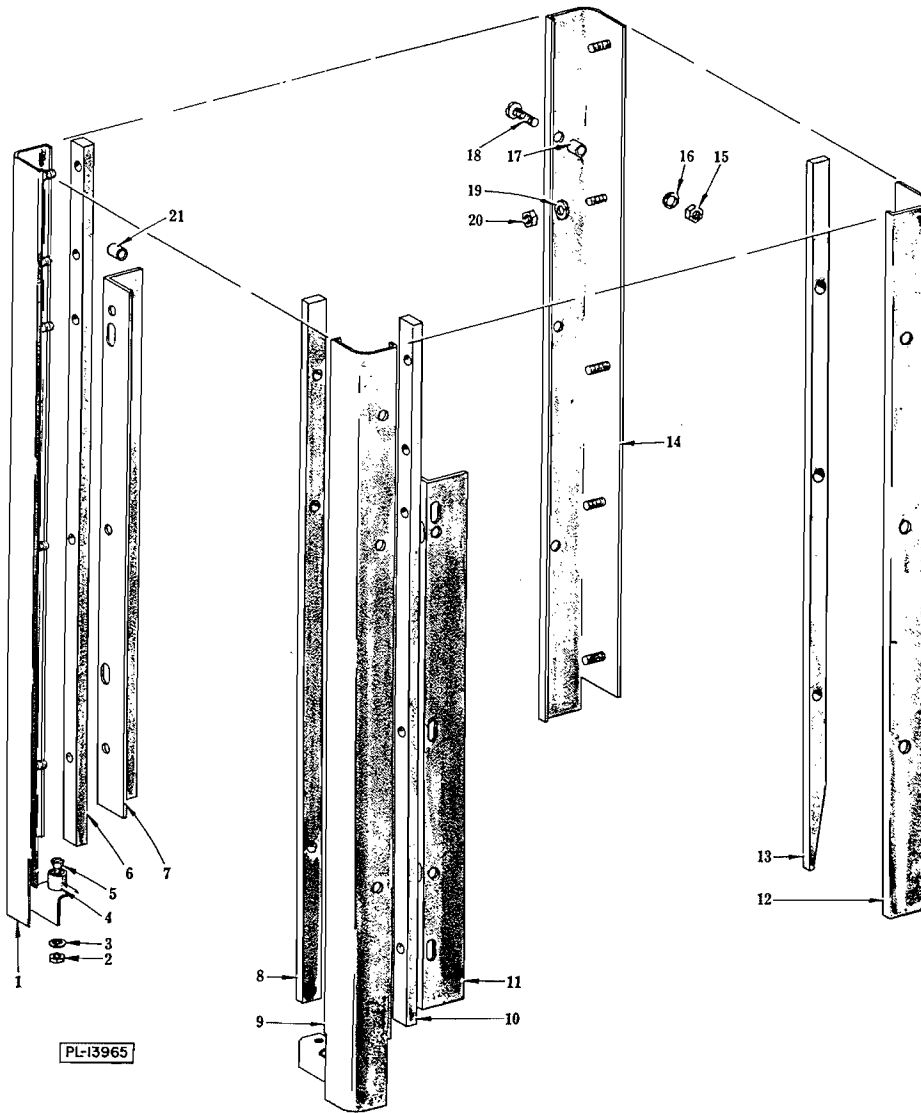
ILLUS. NO.	PART NO.	NAME OF PART	AMT.
1	R-74110	L.H. Front Outside Door Guide & Stud Sub-Assy.	1
2	P-74411	Spacer - Door Guide	1
3	P-74411	Spacer - Door Guide	1
4	R-74107	R.H. Front Outside Door Guide & Stud Sub-Assy.	1
5	R-74110	R.H. Rear Outside Door Guide & Stud Sub-Assy.	1
6	P-74411	Spacer - Door Guide	1
7	P-74411	Spacer - Door Guide	1
8	R-74107	L.H. Rear Outside Door Guide & Stud Sub-Assy.	1
9	WL-6-16	Lock Washer - 1/4" x .107" x .047"	20
10	NS-15-6	Full Nut - 1/4"-28 Hex Fin.	20
11	SC-53-10	Mach. Screw - 1/4"-28 x 1" Truss Hd.	12
12	WL-6-16	Lock Washer - 1/4" x .107" x .047"	12
13	NS-15-6	Full Nut - 1/4"-28 Hex Fin.	12
	M-77093	Seal - Door Guide (Not Shown)	4



**DOOR GUIDES
(AM-11)**

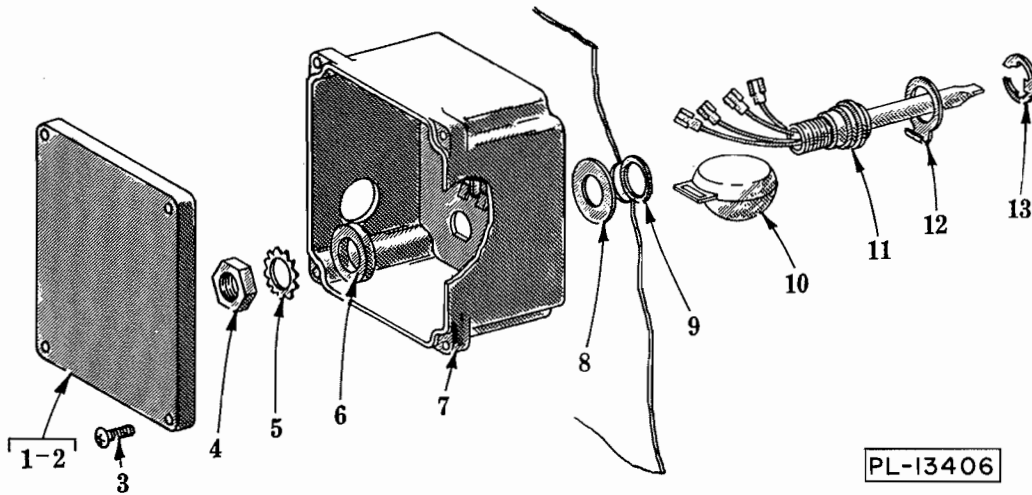
ILLUS. NO.	PART NO.	NAME OF PART	AMT.
1	R-74103	L.H. Front Outside Door Guide & Stud Sub-Assy.	1
2	S-74133	Door Guide - L.H. Front Inside	1
3	P-74428	Spacer - Front Door Guide	1
4	P-74428	Spacer - Front Door Guide	1
5	R-74105	R.H. Front Outside Door Guide & Stud Sub-Assy.	1
6	M-63491	Spacer - Front Door Guide	5
7	S-74132	Door Guide - R.H. Front Inside	1
8	R-74110	R.H. Rear Outside Door Guide & Stud Sub-Assy.	1
9	P-74411	Spacer - Rear Door Guide	1
10	P-74411	Spacer - Rear Door Guide	1
11	R-74107	L.H. Rear Outside Door Guide & Stud Sub-Assy.	1
12	NS-15-6	Full Nut - 1/4"-28 Hex Fin.	12
13	WL-6-16	Lock Washer - 1/4" x .107" x .047"	12
14	SC-53-10	Mach. Screw - 1/4"-28 x 1" Truss Hd.	12
15	WL-6-16	Lock Washer - 1/4" x .107" x .047"	20
16	NS-15-6	Full Nut - 1/4"-28 Hex Fin.	20
17	M-63491	Spacer - Front Door Guide	5
	M-77093	Seal - Door Guide (Not Shown)	2

AM-10 REPLACEMENT PARTS



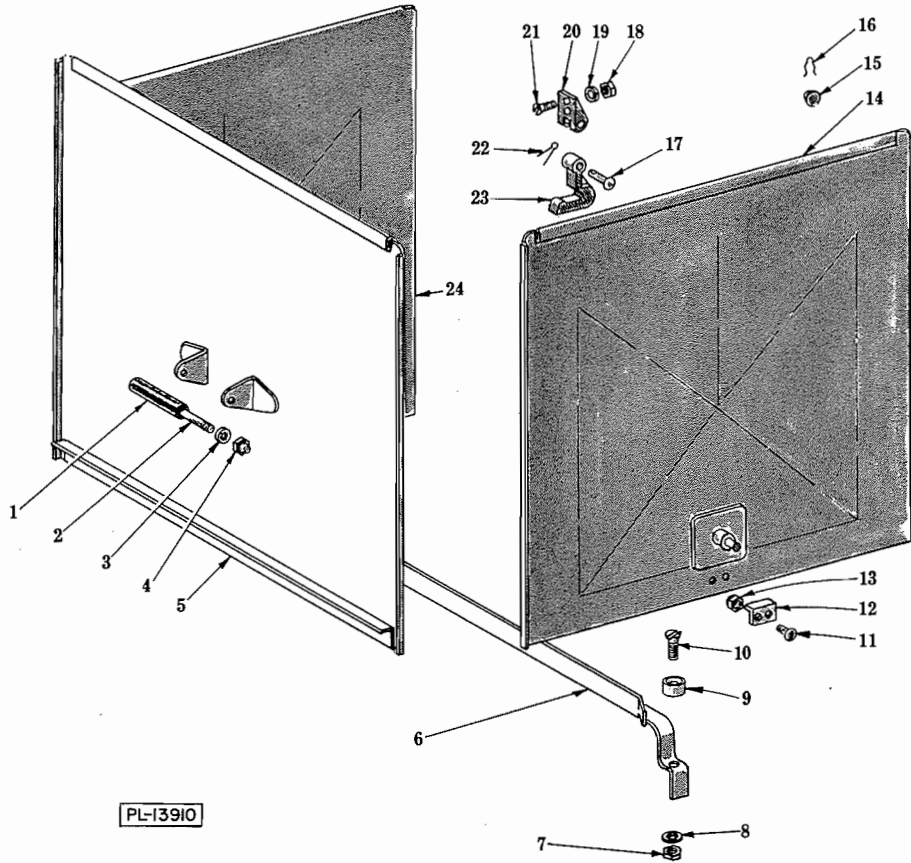
DOOR GUIDES
(AM-11C)

ILLUS. NO.	PART NO.	NAME OF PART	AMT.
1	R-74103	L.H. Front Outside Door Guide & Stud Sub-Assy. (Incls. items #2, 3, 4 & 5)	1
2	NS-15-1	Full Nut - 1/4"-20 Hex Fin.	2
3	WL-6-16	Lock Washer - 1/4" x .107" x .047"	2
4	B-119774	Bumper	2
5	SC-22-35	Mach. Screw - 1/4"-20 x 1" Flat Hd.	2
6	P-74429	Spacer - Front Door Guide	1
7	S-74133	Door Guide - L.H. Front Inside	1
8	P-74428	Spacer - Side Door Guide	1
9	R-74105	R.H. Front Outside Door Guide & Stud Sub-Assy. (Incls. items #2, 3, 4 & 5)	1
10	P-74429	Spacer - Front Door Guide	1
11	S-74132	Door Guide - R.H. Front Inside	1
12	R-74110	R.H. Rear Outside Door Guide & Stud Sub-Assy.	1
13	P-74411	Spacer - Door Guide	1
14	R-74107	L.H. Rear Outside Door Guide & Stud Sub-Assy.	1
15	NS-15-6	Full Nut - 1/4"-28 Hex Fin.	12
16	WL-6-16	Lock Washer - 1/4" x .107" x .047"	12
17	M-63491	Spacer - Door Guide	3
18	SC-53-10	Mach. Screw - 1/4"-28 x 1" Truss Hd.	12
19	WL-6-16	Lock Washer - 1/4" x .107" x .047"	20
20	NS-15-6	Full Nut - 1/4"-28 Hex Fin.	20
21	M-63491	Spacer - Door Guide	3
	M-77093	Seal - Door Guide (Not Shown)	2



LOW WATER PROTECTION

ILLUS. PL-13406	PART NO.	NAME OF PART	AMT.
1	C-112006	Lid & Gasket Sub-Assy. (Incls. item #2)	1
2	C-112007	Gasket (Lid)	1
3	SD-12-20	Self-Tapping Screw - #8-32 x 1/2" Phil. Truss Hd., Type 23	4
4	NS-18-28	Jam Nut - 1/2"-20 Hex Fin.	1
5	WL-14-31	Lock Washer - 1/2" Ext. Shakeproof	1
6	B-111944	Washer - Thrust	1
7	D-111998-2	Junction Box & Terminal Sub-Assy.	1
8	B-111942	Gasket - Low Water Probe	1
9	D-67500-72	"O" Ring	1
10	C-118251	Float Assy.	1
11	B-112470	Probe & Switch Assy.	1
12	C-112467	Retainer - Float	1
13	RR-10-13	Retaining Ring	1

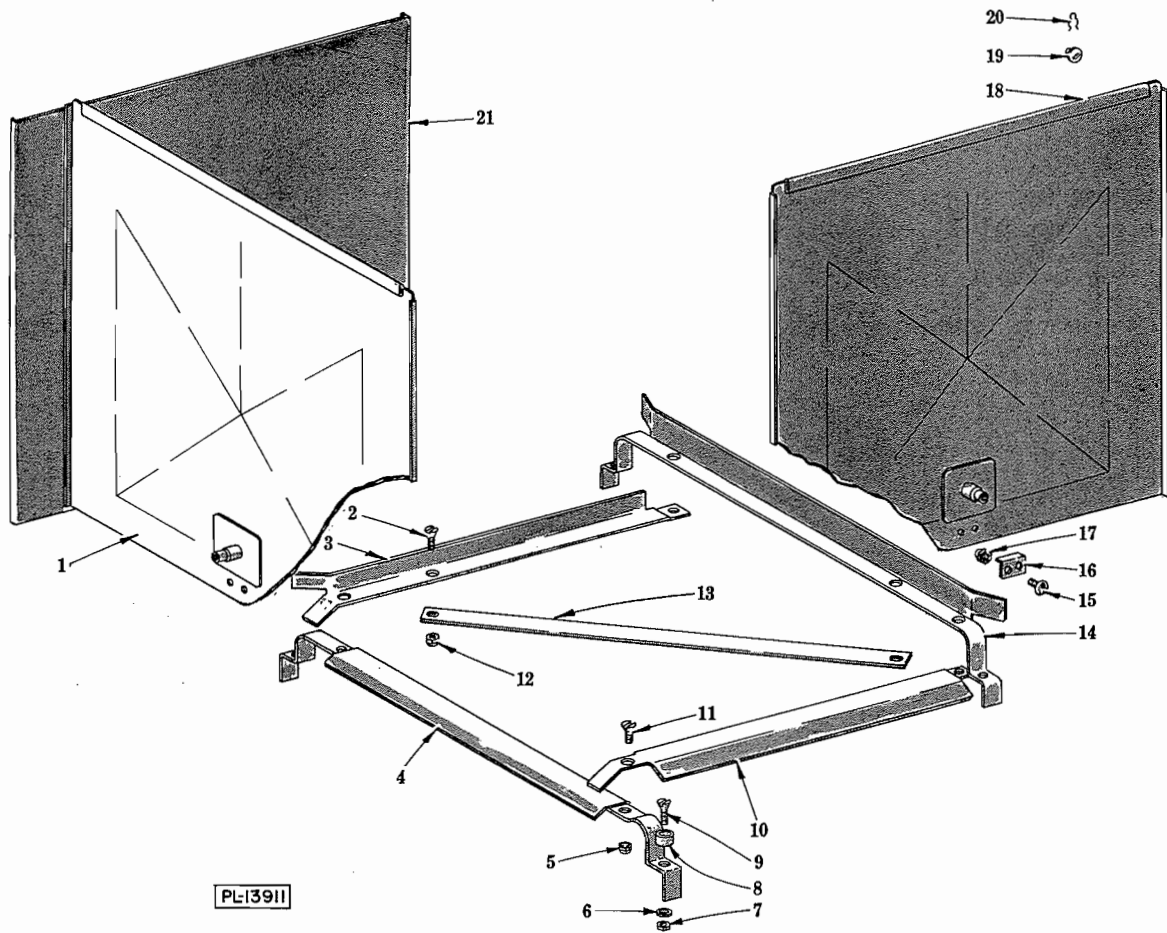


**DOORS AND TRACKS
(STRAIGHT THRU INSTALLATION)**

**DOORS AND TRACKS
(STRAIGHT THRU INSTALLATION)**

ILLUS. PL-13910	PART NO.	NAME OF PART	AMT.
*1	M-22413-3	Handle - Door -----	1
*2	M-66374	Stud - Door Handle -----	1
*3	WL-8-17	Lock Washer - 1/4" Int. Shakeproof -----	2
*4	NS-25-4	Acorn Nut - 1/4"-20 -----	2
*5	S-74127	Non-Co-Balanced Door Assy. -----	1
6	S-77811	Tracks - Rack -----	2
7	NS-15-1	Full Nut - 1/4"-20 Hex Fin. -----	4
8	WL-6-16	Lock Washer - 1/4" x .107" x .047" -----	4
9	B-119774	Bumper -----	4
10	SC-22-35	Mach. Screw - 1/4"-20 x 1" Flat Hd. -----	4
11	SC-21-23	Mach. Screw - #10-24 x 1/2" Rd. Hd. -----	4
12	M-74091	Stop - Door -----	2
13	NS-31-15	Stop Nut - #10-24 "Elastic" -----	4
14	R-74102-1	Co-Balanced Door Assy. -----	1
15	M-74688	Button - Wear -----	4
16	M-74803	Retainer - Wear Button -----	4
*17	V-12114	Pin -----	1
*18	NS-11-18	Mach. Nut - #10-24 Hex -----	2
*19	WL-6-6	Lock Washer - #10 x .055" x .040" -----	2
*20	M-12113	Bearing - Latch -----	1
*21	SC-22-20	Mach. Screw - #10-24 x 5/8" Flat Hd. -----	2
*22	PC-5-2	Cotter Pin - 1/16" x 1/2" -----	1
*23	M-63553	Latch - Door -----	1
*24	R-74102-1	Co-Balanced Door Assy. -----	1

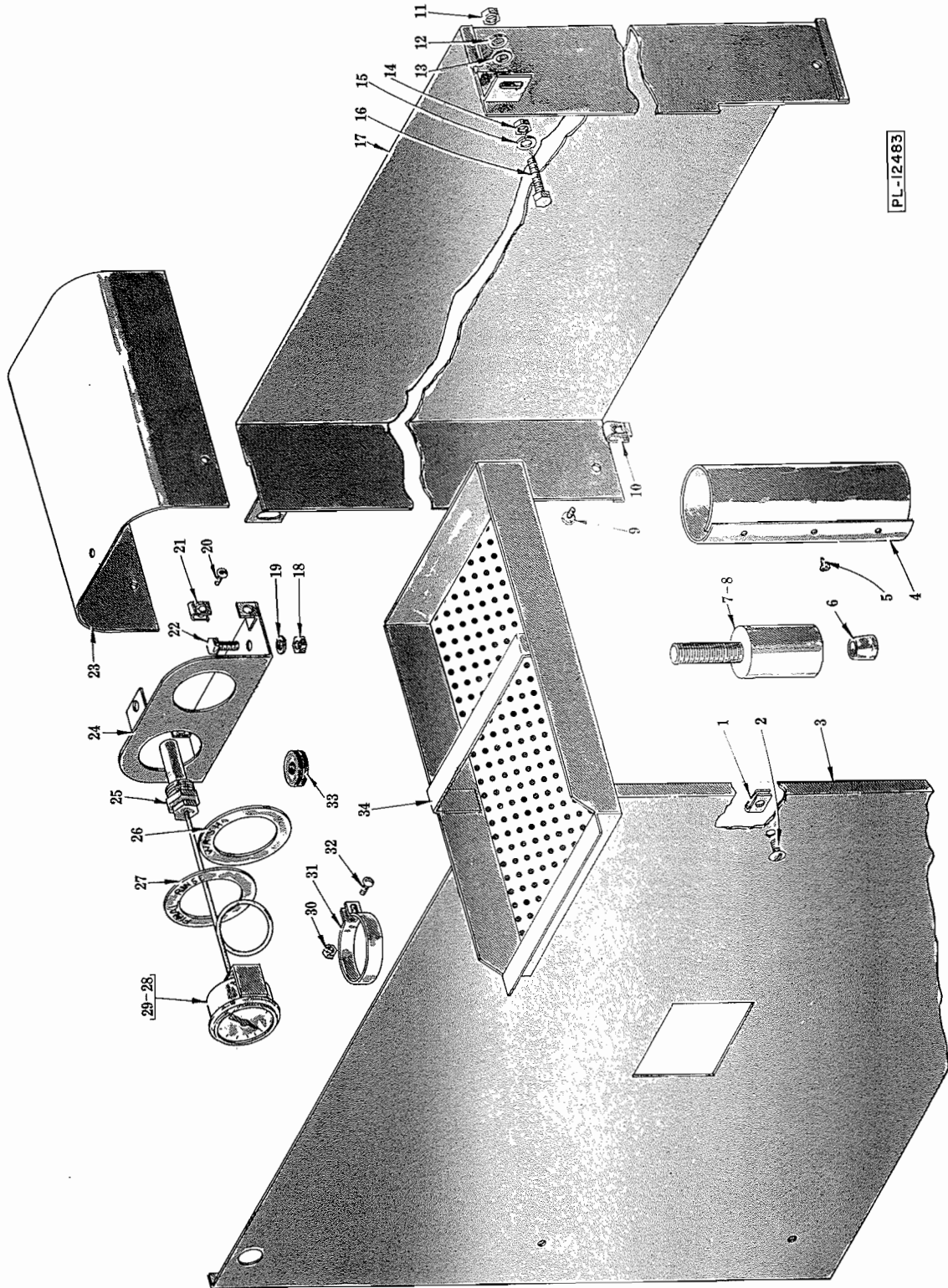
*AM-11 ONLY.



**DOORS AND TRACKS
(CORNER INSTALLATION)**

**DOORS AND TRACKS
(CORNER INSTALLATION)**

ILLUS. PL-13911	PART NO.	NAME OF PART	AMT.
1	R-74102-1	Co-Balanced Door Assy. -----	1
2	SC-22-27	Mach. Screw - #12-24 x 5/8" Flat Hd. -----	2
3	S-74527	Track - L.H. Rack -----	1
4	S-77810	Track - Front Rack -----	1
5	NS-36-5	Stop Nut - #12-24 "Elastic" -----	4
6	WL-6-16	Lock Washer - 1/4" x .107" x .047" -----	2
7	NS-15-1	Full Nut - 1/4"-20 Hex Fin. -----	2
8	B-119774	Bumper -----	2
9	SC-22-35	Mach. Screw - 1/4"-20 x 1" Flat Hd. -----	2
10	S-74528	Track - R.H. Rack -----	1
11	SC-22-27	Mach. Screw - #12-24 x 5/8" Flat Hd. -----	4
12	NS-36-5	Stop Nut - #12-24 "Elastic" -----	2
13	B-104404	Support - Track -----	1
14	S-77812	Track - Rear Rack -----	1
15	SC-21-23	Mach. Screw - #10-24 x 1/2" Rd. Hd. -----	4
16	M-74091	Stop - Door -----	2
17	NS-31-15	Stop Nut - #10-24 "Elastic" -----	4
18	R-74102-1	Co-Balanced Door Assy. -----	1
19	M-74688	Button - Wear -----	4
20	M-74803	Retainer - Wear Button -----	4
21	T-74594	Rear Panel Assy. -----	1

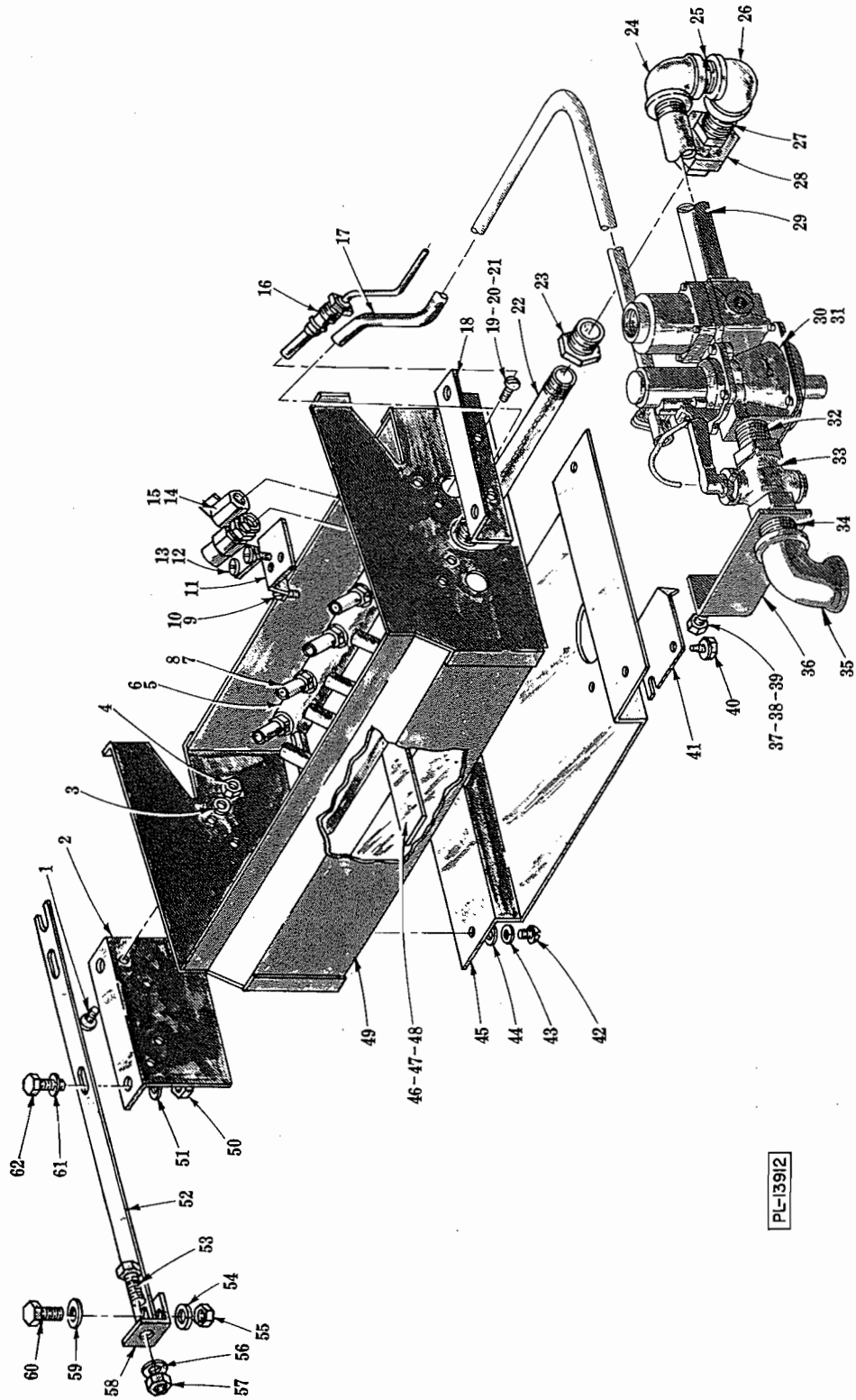


MISCELLANEOUS

MISCELLANEOUS

ILLUS. PART PL-12483 NO.	NAME OF PART	AMT.
1	M-74398 Speed Nut - #10-24 Type "U" -----	4
2	SC-53-5 Mach. Screw - #10-24 x 3/8" Truss Hd. -----	4
3	S-89627 Panel - Front -----	1
4	R-74584 Trim - Leg -----	2
5	SD-7-15 Self-Tapping Screw - #6 x 3/16" Phil. Bind. Hd., Type B -----	6
6	M-71710 Plug - Foot -----	4
7	C-108821-1 Foot (STL) -----	4
8	C-108821-2 Foot (SST) -----	4
*9	SC-53-2 Mach. Screw - #10-24 x 1/2" Truss Hd. -----	2
*10	M-74347 Speed Nut - #10-24 Type "U" -----	2
*11	NS-15-11 Full Nut - 5/16"-18 Hex Fin. -----	2
*12	WL-6-22 Lock Washer - 5/16" x .117" x .056" -----	2
*13	WS-17-9 Washer -----	2
*14	NS-15-11 Full Nut - 5/16"-18 Hex Fin. -----	2
*15	WL-6-22 Lock Washer - 5/16" x .117" x .056" -----	2
*16	SC-67-18 Mach. Screw - 5/16"-18 x 1-1/4" Trimmed Hex Hd. -----	2
*17	R-74099 Spring Housing Assy. -----	1
18	NS-15-11 Full Nut - 5/16"-18 Hex Fin. -----	1
19	WL-6-22 Lock Washer - 5/16" x .117" x .056" -----	1
20	SC-53-2 Mach. Screw - #10-24 x 1/2" Truss Hd. -----	3
21	M-74348 Speed Nut - #10-24 Type "U" -----	3
22	SC-41-10 Fin. Bolt - 5/16"-18 x 5/8" Hex Hd. -----	1
23	R-74119 Housing - Thermometer -----	1
24	P-74079 Thermometer Panel Assy. -----	1
25	A-107218 Coupling - Thermometer -----	1
26	P-86299 Ring - Wash Identification -----	1
27	P-68173 Ring - Final Rinse Identification -----	1
28	M-86143-1 Thermometer (3 Ft.) (Less Nut) -----	1
29	M-86143-2 Thermometer (8 Ft.) (Less Nut) -----	1
30	NS-11-18 Mach. Nut - #10-24 Hex -----	1
31	P-74098 Clamp - Thermometer -----	1
32	SC-53-3 Mach. Screw - #10-24 x 3/4" Truss Hd. -----	1
33	M-65028 Grommet -----	2
34	S-74134 Strainer Pan Assy. -----	2

* Used with Electric or Steam Heat ONLY.



PL-13912

GAS BURNER UNIT

GAS BURNER UNIT

ILLUS. PART PL-13912 NO.	NAME OF PART	AMT.	
1	SC-7-74	Mach. Screw - #10-24 x 3/8" Rd. Hd. -----	4
2	B-105845	Support - Burner Housing (Inside) -----	1
3	WL-3-22	Lock Washer - #10 x .055" x .040" -----	4
4	NS-9-21	Mach. Nut - #10-24 Hex -----	4
5	D-105172-1	Gas Burner Assy. (Nat. or Mixed Gas) (Incls. item #7) -----	1
6	D-105172-2	Gas Burner Assy. (L.P. Gas) (Incls. item #8) -----	1
7	A-105763-1	Jet - Gas Burner (Nat. or Mixed Gas) -----	1
8	A-105763-2	Jet - Gas Burner (L.P. Gas) -----	1
9	SC-7-74	Mach. Screw - #10-24 x 3/8" Rd. Hd. -----	2
10	WL-3-22	Lock Washer - #10 x .055" x .040" -----	2
11	B-104905	Support - Pilot Light -----	1
12	SC-7-71	Mach. Screw - #10-24 x 1/4" Rd. Hd. -----	2
13	WL-3-22	Lock Washer - #10 x .055" x .040" -----	2
14	B-105045-1	Pilot Assy. (Nat. or Mixed Gas) -----	1
15	B-105045-2	Pilot Assy. (L.P. Gas) -----	1
16	P-69696-1	Lead - Thermocouple -----	1
17	P-23963-6	Tube - 1/4" O.D. Gas -----	1
18	B-104878	Support - Burner Housing (Outside) -----	1
19	SC-7-74	Mach. Screw - #10-24 x 3/8" Rd. Hd. -----	4
20	WL-3-22	Lock Washer - #10 x .055" x .040" -----	4
21	NS-9-21	Mach. Nut - #10-24 Hex -----	4
22	FP-35-73	Nipple - 3/8" x 8" Lg. (T.B.E.) -----	1
23	FP-26-14	Bushing - 1/2" to 3/8" Hex Reducing -----	1
24	FP-13-15	Elbow - 1/2" x 90° -----	1
25	FP-36-94	Nipple - 1/2" x 2-3/8" Lg. (T.B.E.) -----	1
26	FP-13-15	Elbow - 1/2" x 90° -----	1
27	FP-59-1	Nipple - 1/2" x 1-3/4" Lg. (T.B.E.) -----	1
28	FP-22-11	Union - 1/2" (Grd. Seat) -----	1
29	FP-59-4	Nipple - 1/2" x 7-1/4" Lg. (T.B.E.) -----	1
30	C-120412-1	Valve - Control (Nat. or Mixed Gas) -----	1
31	C-120413-1	Valve - Control (L.P. Gas) -----	1
32	FP-35-95	Nipple - 1/2" x 2" Lg. (T.B.E.) -----	1
33	FP-11-19	Gas Cock - 1/2" (Lever Handle) -----	1
34	FP-59-1	Nipple - 1/2" x 1-3/4" Lg. (T.B.E.) -----	1
35	FP-13-15	Elbow - 1/2" x 90° -----	1
36	C-111986	Bracket - 1/2" Pipe -----	1
37	SC-36-25	Fin. Bolt - 5/16"-18 x 3/4" Hex Hd. -----	1
38	WL-3-43	Lock Washer - 5/16" x .117" x .056" -----	1
39	NS-13-11	Full Nut - 5/16"-18 Hex Fin. -----	1
40	SA-16-6	Screw & Washer Assy. - #10 x 3/8" Slot. Hex Hd., Type AB -----	2
41	B-104783	Cover - Lighter Hole -----	1
42	SC-7-71	Mach. Screw - #10-24 x 1/4" Rd. Hd. -----	4
43	WL-3-22	Lock Washer - #10 x .055" x .040" -----	4
44	WS-2-19	Washer -----	4
45	C-104891	Shield - Heat -----	1
46	A-104906	Support - Burner -----	1
47	SC-8-72	Mach. Screw - 1/4"-20 x 1" Rd. Hd. -----	1
48	WL-3-36	Lock Washer - 1/4" x .107" x .047" -----	1
49	D-104890	Burner Housing Assy. -----	1
50	NS-13-11	Full Nut - 5/16"-18 Hex Fin. -----	4
51	WL-3-43	Lock Washer - 5/16" x .117" x .056" -----	4
52	B-104784	Support - Burner Housing -----	2
53	SC-36-25	Fin. Bolt - 5/16"-18 x 3/4" Hex Hd. -----	2
54	WL-3-43	Lock Washer - 5/16" x .117" x .056" -----	4
55	NS-13-11	Full Nut - 5/16"-18 Hex Fin. -----	4
56	WL-3-43	Lock Washer - 5/16" x .117" x .056" -----	2
57	NS-13-11	Full Nut - 5/16"-18 Hex Fin. -----	2
58	A-104880	Angle - Burner Support -----	2
59	WS-5-5	Washer -----	4
60	SC-36-25	Fin. Bolt - 5/16"-18 x 3/4" Hex Hd. -----	4
61	WS-5-5	Washer -----	4
62	SC-36-25	Fin. Bolt - 5/16"-18 x 3/4" Hex Hd. -----	4

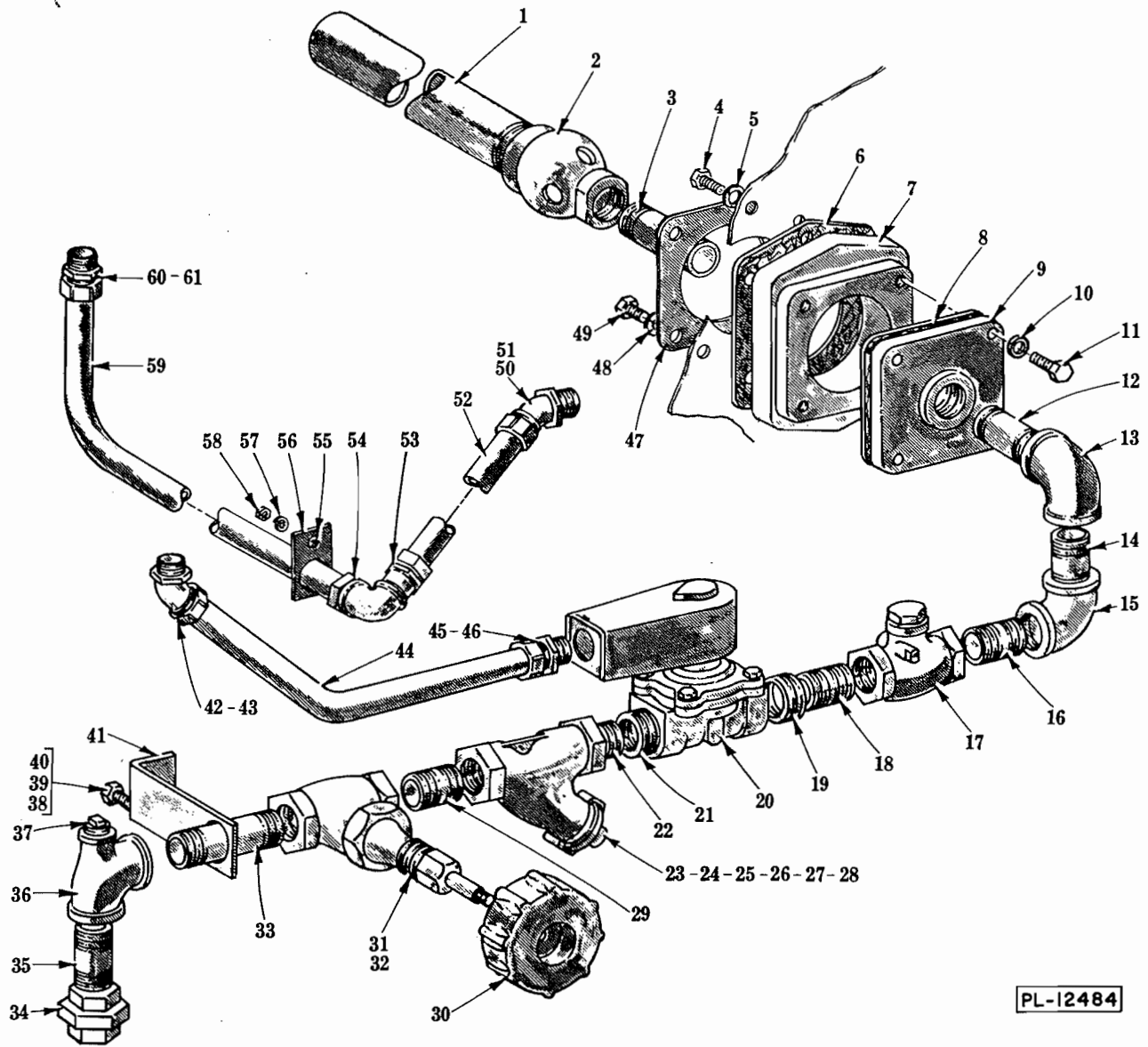
**FLUE AND MOUNTING PLATES
(GAS HEAT)**

ILLUS. PL-13913 NO.	PART	NAME OF PART	AMT.
*1	D-104933	Flue, Spring Housing & Insulation Assy. -----	1
*2	SC-67-18	Mach. Screw - 5/16"-18 x 1-1/4" Trimmed Hex Hd. -----	2
*3	WL-6-22	Lock Washer - 5/16" x .117" x .056" -----	2
*4	NS-15-11	Full Nut - 5/16"-18 Hex Fin. -----	2
*5	WS-17-9	Washer -----	2
*6	WL-6-22	Lock Washer - 5/16" x .117" x .056" -----	2
*7	NS-15-11	Full Nut - 5/16"-18 Hex Fin. -----	2
*8	SC-53-2	Mach. Screw - #10-24 x 1/2" Truss Hd. -----	2
*9	M-74347	Speed Nut - #10-24 -----	2
10	SC-41-10	Fin. Bolt - 5/16"-18 x 5/8" Hex Hd. -----	4
11	WL-6-22	Lock Washer - 5/16" x .117" x .056" -----	4
12	B-109635	Retainer - Mounting Plate (Cover) -----	1
13	C-109636	Gasket - Mounting Plate Retainer -----	1
14	C-111959	Plate - Mounting -----	1
15	C-111958	Gasket - Mounting Plate -----	1
16	WL-6-22	Lock Washer - 5/16" x .117" x .056" -----	2
17	SC-41-9	Fin. Bolt - 5/16"-18 x 1/2" Hex Hd. -----	2
18	C-109636	Gasket - Mounting Plate Retainer -----	1
19	B-109635	Retainer - Mounting Plate -----	1
20	WL-6-22	Lock Washer - 5/16" x .117" x .056" -----	4
21	SC-41-10	Fin. Bolt - 5/16"-18 x 5/8" Hex Hd. -----	4
**22	FE-8-10	1/2" Gasket Assy. -----	1
**23	FE-7-2	Connector - 45° "Sealtite" (1/2" Male Thd. x 3/8" Flex. Cnd.) -----	1
**24	P-68190-19	Conduit - 3/8" x 9" (Waterproof) -----	1
**25	FE-7-3	Connector - 90° "Sealtite" (1/2" Male Thd. x 3/8" Flex. Cnd.) -----	1
**26	FE-8-10	1/2" Gasket Assy. -----	1
***27	FE-8-10	1/2" Gasket Assy. -----	1
***28	FE-7-3	Connector - 90° "Sealtite" (1/2" Male Thd. x 3/8" Flex. Cnd.) -----	1
***29	P-68190-8	Conduit - 3/8" x 20" (Waterproof) -----	1
***30	FE-7-1	Connector - Straight "Sealtite" (1/2" Male Thd. x 3/8" Flex. Cnd.) -----	1
***31	FE-8-10	1/2" Gasket Assy. -----	1

*Used with Gas Heat ONLY.

**R.H. Controls ONLY.

***L.H. Controls ONLY.



PL-12484

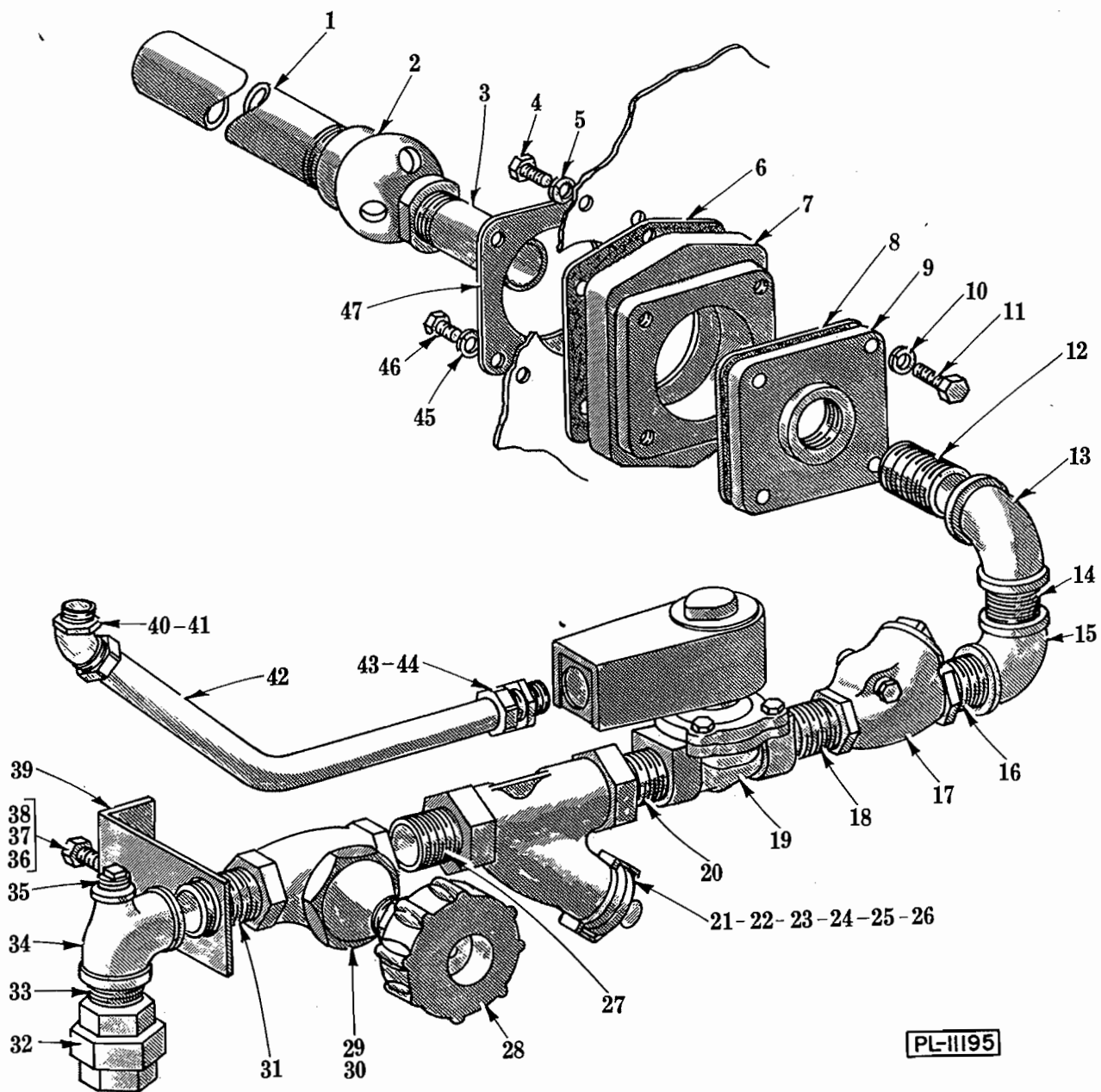
STEAM INJECTOR

1/2" STEAM INJECTOR

ILLUS. PL-12484	PART NO.	NAME OF PART	AMT.
1	FP-54-34	Pipe - 1" x 14" Lg. (S.T.O.E.)	1
2	R-83062	Heater - Water	1
3	FP-54-14	Nipple - 1/2" x 3" Lg. (T.B.E.)	1
4	SC-41-9	Fin. Bolt - 5/16"-18 x 1/2" Hex Hd.	2
5	WL-6-22	Lock Washer - 5/16" x .117" x .056"	2
6	C-111958	Gasket - Mounting Plate	1
7	C-111959	Plate - Mounting	1
8	P-67036	Gasket	1
9	P-67037-2	Plate - Adapter	1
10	WL-6-22	Lock Washer - 5/16" x .117" x .056"	4
11	SC-41-14	Fin. Bolt - 5/16"-18 x 1-1/8" Hex Hd.	4
12	FP-35-95	Nipple - 1/2" x 2" Lg. (T.B.E.)	1
13	FP-13-15	Elbow - 1/2" x 90°	1
14	FP-36-97	Nipple - 1/2" x 2-3/4" Lg. (T.B.E.)	1
15	FP-13-15	Elbow - 1/2" x 90°	1
16	FP-35-91	Nipple - 1/2" x 1-1/8" Lg. (T.B.E.)	1
17	P-84071	Valve - 1/2" Check	1
18	FP-35-91	Nipple - 1/2" x 1-1/8" Lg. (T.B.E.)	1
19	FP-26-22	Bushing - 3/4" to 1/2" Flush Reducing	1
20	A-108156-3	Solenoid Valve - 3/4" (115 V., 50/60 Hz.) (Pilot Circuit)	1
21	FP-26-22	Bushing - 3/4" to 1/2" Flush Reducing	1
22	FP-35-91	Nipple - 1/2" x 1-1/8" Lg. (T.B.E.)	1
23	M-82227	Line Strainer (1/2") (Incls. items #24, 25, 26, 27 & 28)	1
24	M-82230	Screen (1/2" Line Strainer)	1
25	M-82233	Plate - Seal (1/2" Line Strainer)	1
26	M-82236	Clamp (1/2" Line Strainer)	1
27	M-82238	Thumb Screw	1
28	D-67500-59	"O" Ring (1/2" Line Strainer)	1
29	FP-35-91	Nipple - 1/2" x 1-1/8" Lg. (T.B.E.)	1
30	P-70149-1	Handle - 1/2" Valve	1
31	M-65545	Valve - 1/2" Globe (Incls. item #32)	1
32	FP-9-7	Disc - 1/2" Valve	1
33	FP-36-94	Nipple - 1/2" x 2-3/8" Lg. (T.B.E.)	1
34	FP-22-11	Union - 1/2" (Grd. Seat)	1
35	FP-35-91	Nipple - 1/2" x 1-1/8" Lg. (T.B.E.)	1
36	FP-19-16	Tee - 1/2" x 1/4" x 1/2" Reducing	1
37	FP-28-6	Plug - 1/4" Sq. Hd. Pipe	1
38	SC-36-25	Fin. Bolt - 5/16"-18 x 3/4" Hex Hd.	1
39	WL-3-43	Lock Washer - 5/16" x .117" x .056"	1
40	NS-13-11	Full Nut - 5/16"-18 Hex Fin.	1
41	C-111986	Bracket - 1/2" Pipe	1
*42	FE-7-2	Connector - 45° "Sealtite" (1/2" Male Thd. x 3/8" Flex. Cnd.)	1
*43	FE-8-10	1/2" Gasket Assy.	1
*44	P-68190-1	Conduit - 3/8" x 10" (Waterproof)	1
*45	FE-7-1	Connector - Straight "Sealtite" (1/2" Male Thd. x 3/8" Flex. Cnd.)	1
*46	FE-8-10	1/2" Gasket Assy.	1
47	B-109637	Retainer - Mounting Plate	1
48	WL-6-22	Lock Washer - 5/16" x .117" x .056"	4
49	SC-41-10	Fin. Bolt - 5/16"-18 x 5/8" Hex Hd.	4
**50	FE-7-2	Connector - 45° "Sealtite" (1/2" Male Thd. x 3/8" Flex. Cnd.)	1
**51	FE-8-10	1/2" Gasket Assy.	1
**52	P-68190-20	Conduit - 3/8" x 6-1/2" (Waterproof)	1
**53	FE-7-43	Connector - Straight "Sealtite" (1/2" Female Thd. x 1/2" Flex. Cnd.)	1
**54	FE-6-37	Ell - 90° Short (1/2" Male Thd. x 1/2" Thinwall)	1
**55	SC-21-22	Mach. Screw - #10-24 x 3/8" Rd. Hd.	2
**56	B-112157	Support - Conduit	2
**57	WL-6-6	Lock Washer - #10 x .055" x .040"	2
**58	NS-11-18	Mach. Nut - #10-24 Hex	2
**59	C-89740-55	Conduit (Control Box to Ell)	1
**60	FE-6-45	Connector - Straight (1/2" Male Thd. x 1/2" Thinwall)	1
**61	FE-8-10	1/2" Gasket Assy.	1
	B-104242	Water Heater & Piping Sub-Assy. (Incls. items #1, 2 & 3)	1

*R.H. Controls ONLY.

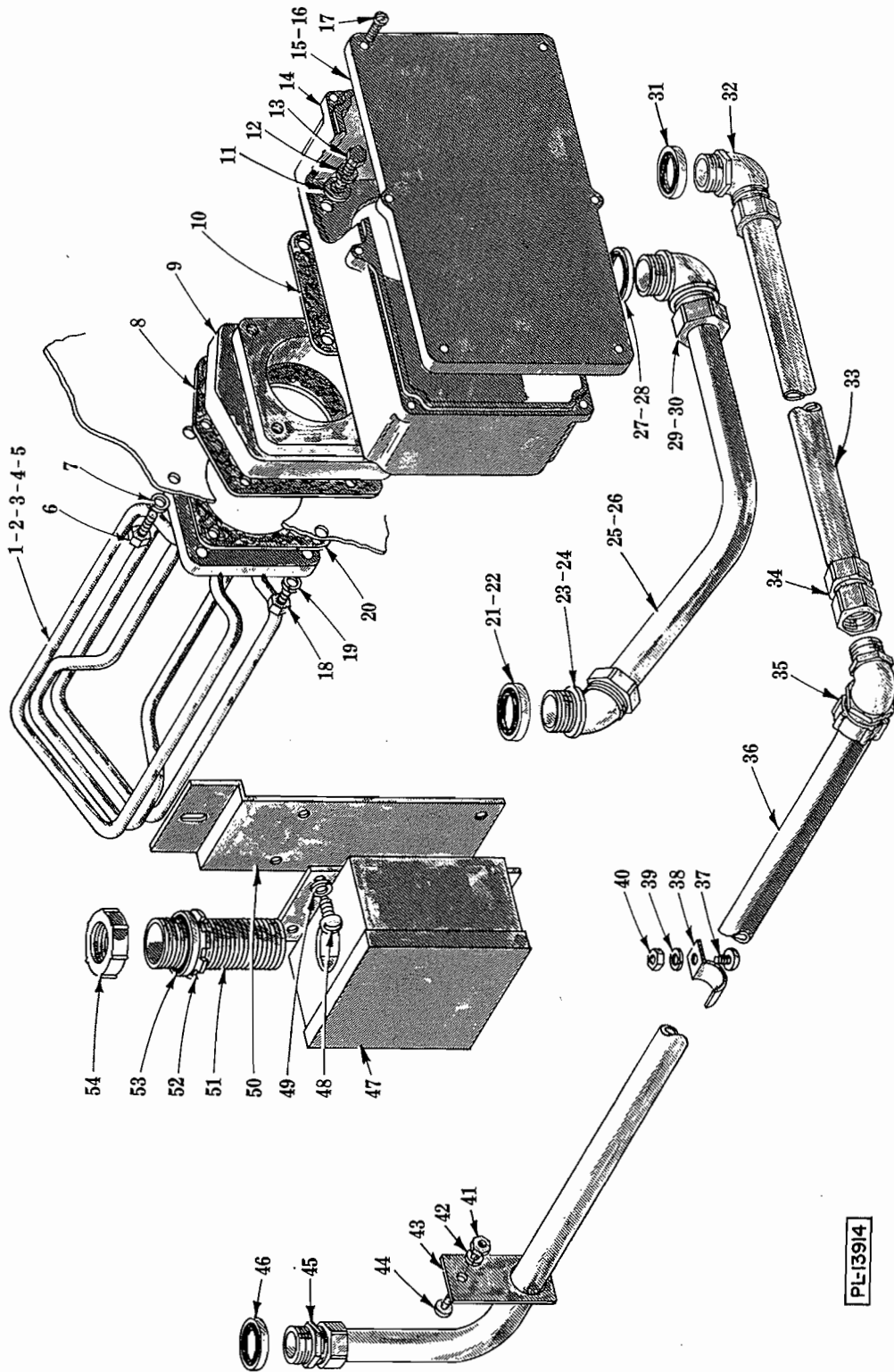
**L.H. Controls ONLY.



STEAM INJECTOR

**3/4" STEAM INJECTOR
(R.H. CONTROLS)**

ILLUS. PART PL-11195 NO.	NAME OF PART	AMT.
1	FP-54-34 Pipe - 1" x 14" Lg. (S.T.O.E.)	1
2	R-83063 Heater - Water	1
3	FP-54-44 Nipple - 3/4" x 2-1/2" Lg. (T.B.E.)	1
4	SC-41-9 Fin. Bolt - 5/16"-18 x 1/2" Hex Hd.	2
5	WL-6-22 Lock Washer - 5/16" x .117" x .056"	2
6	C-111958 Gasket - Mounting Plate	1
7	C-111959 Plate - Mounting	1
8	P-67036 Gasket	1
9	P-67037-1 Plate - Adapter	1
10	WL-6-22 Lock Washer - 5/16" x .117" x .056"	4
11	SC-41-14 Fin. Bolt - 5/16"-18 x 1-1/8" Hex Hd.	4
12	FP-36-92 Nipple - 3/4" x 1-3/8" Lg. (T.B.E.)	1
13	FP-13-22 Elbow - 3/4" x 90°	1
14	FP-36-2 Nipple - 3/4" x 2-1/2" Lg. (T.B.E.)	1
15	FP-13-22 Elbow - 3/4" x 90°	1
16	FP-36-92 Nipple - 3/4" x 1-3/8" Lg. (T.B.E.)	1
17	P-74696 Valve - 3/4" Check	1
18	FP-36-92 Nipple - 3/4" x 1-3/8" Lg. (T.B.E.)	1
19	A-108156-3 Solenoid Valve - 3/4" (115 V., 50/60 Hz.) (Pilot Circuit)	1
20	FP-36-92 Nipple - 3/4" x 1-3/8" Lg. (T.B.E.)	1
21	M-82228 Line Strainer (3/4") (Incls. items #22, 23, 24, 25 & 26)	1
22	M-82231 Screen (3/4" Line Strainer)	1
23	M-82234 Plate - Seal (3/4" Line Strainer)	1
24	M-82236 Clamp (3/4" Line Strainer)	1
25	M-82238 Thumb Screw	1
26	D-67500-59 "O" Ring (3/4" Line Strainer)	1
27	FP-36-92 Nipple - 3/4" x 1-3/8" Lg. (T.B.E.)	1
28	P-70149-2 Handle - 3/4" Valve	1
29	A-114683 Valve - 3/4" Globe (Incls. item #30)	1
30	FP-9-8 Disc - 3/4" Valve	1
31	FP-36-92 Nipple - 3/4" x 1-3/8" Lg. (T.B.E.)	1
32	FP-22-17 Union - 3/4" (Grd. Seat)	1
33	FP-36-92 Nipple - 3/4" x 1-3/8" Lg. (T.B.E.)	1
34	FP-19-79 Tee - 3/4" x 1/4" x 3/4" Reducing	1
35	FP-28-6 Plug - 1/4" Sq. Hd. Pipe	1
36	SC-36-25 Fin. Bolt - 5/16"-18 x 3/4" Hex Hd.	1
37	WL-3-43 Lock Washer - 5/16" x .117" x .056"	1
38	NS-13-11 Full Nut - 5/16"-18 Hex Fin.	1
39	C-111957 Bracket - 3/4" Pipe	1
40	FE-7-2 Connector - 45° "Sealtite" (1/2" Male Thd. x 3/8" Flex. Cnd.)	1
41	FE-8-10 1/2" Gasket Assy.	1
42	P-68190-1 Conduit - 3/8" x 10" Lg. (Waterproof)	1
43	FE-7-1 Connector - Straight "Sealtite" (1/2" Male Thd. x 3/8" Flex. Cnd.)	1
44	FE-8-10 1/2" Gasket Assy.	1
45	WL-6-22 Lock Washer - 5/16" x .117" x .056"	4
46	SC-41-10 Fin. Bolt - 5/16"-18 x 5/8" Hex Hd.	4
47	B-109637 Retainer - Mounting Plate	1
B-104250	Water Heater & Piping Sub-Assy. (Incls. items #1, 2 & 3)	1



PL-13914

ELECTRIC HEAT

ELECTRIC HEAT

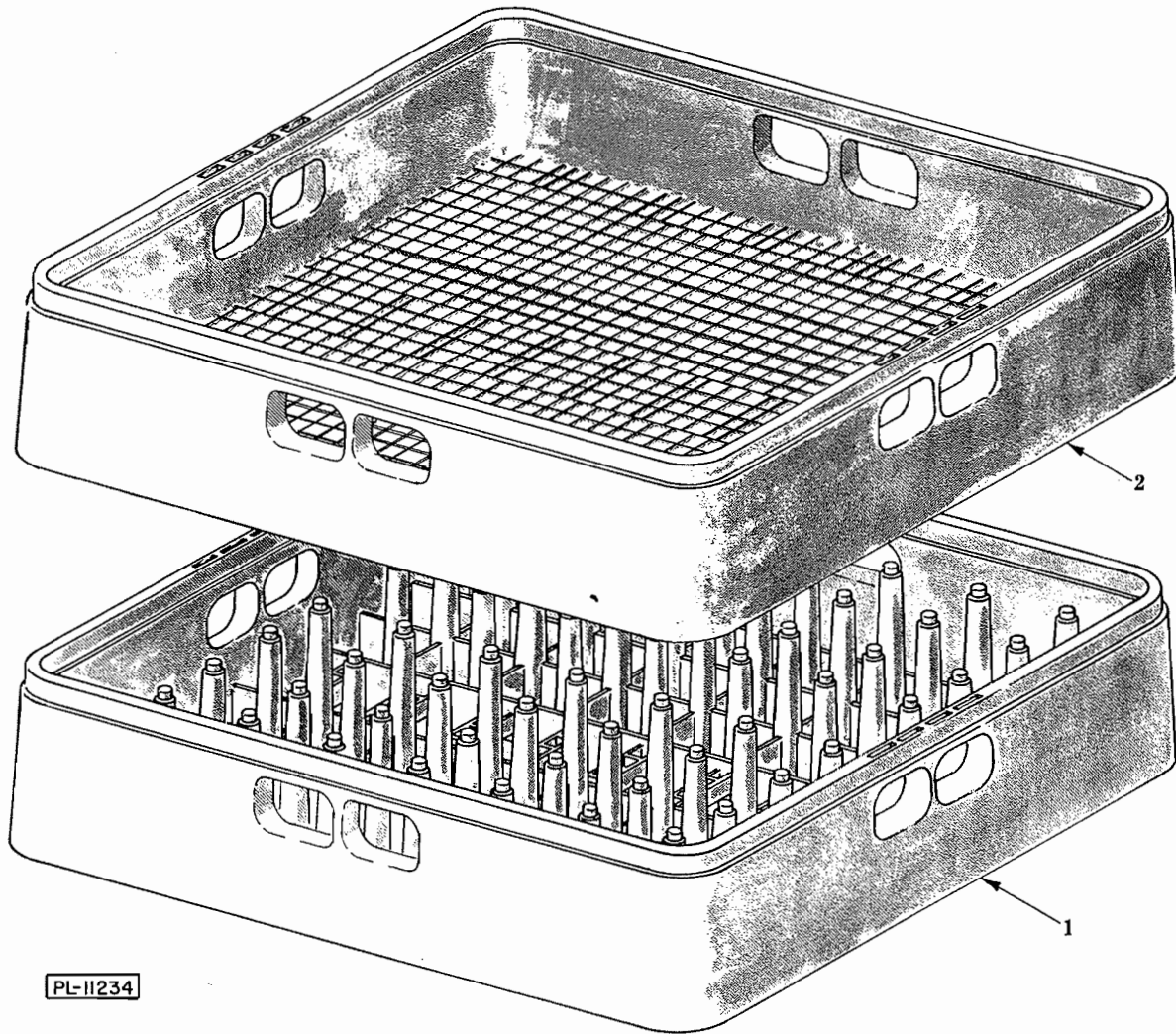
ILLUS. PL-13914	PART NO.	NAME OF PART	AMT.
1	S-87050-1	Heater - Electric (110-120 V., 1 Ph.)	1
2	S-87050-2	Heater - Electric (208-240 V., 1 Ph.)	1
3	S-87050-4	Heater - Electric (208-240 V., 3 Ph.)	1
4	S-87050-6	Heater - Electric (380 V., 3 Ph.)	1
5	S-87050-7	Heater - Electric (416-480 V., 3 Ph.)	1
6	SC-41-9	Fin. Bolt - 5/16"-18 x 1/2" Hex Hd.	2
7	WL-6-22	Lock Washer - 5/16" x .117" x .056"	2
8	C-111958	Gasket - Mounting Plate	1
9	C-111959	Plate - Mounting	1
10	P-67036	Gasket - Adapter Plate	1
11	WS-17-8	Washer	4
12	WL-6-22	Lock Washer - 5/16" x .117" x .056"	4
13	SC-41-10	Fin. Bolt - 5/16"-18 x 5/8" Hex Hd.	4
14	C-120049	Box - Electric Heat	1
15	C-119143	Lid & Gasket Sub-Assy. (Incls. item #16)	1
16	C-112005	Gasket	1
17	SD-12-20	Self-Tapping Screw - #8-32 x 1/2" Phil. Truss Hd., Type 23	6
18	SC-41-13	Fin. Bolt - 5/16"-18 x 1" Hex Hd.	4
19	WL-6-22	Lock Washer - 5/16" x .117" x .056"	4
20	P-67036	Gasket	1
*	****21	FE-8-10 1/2" Gasket Assy.	1
*	****22	FE-8-11 3/4" Gasket Assy.	1
*	****23	FE-7-5 Connector - 45° "Sealtite" (1/2" Male Thd. x 1/2" Flex. Cnd.)	1
*	****24	FE-8-24 Connector - 45° "Sealtite" (3/4" Male Thd. x 3/4" Flex. Cnd.)	1
*	****25	P-77658-9 Conduit - 1/2" x 16-1/2" Lg. (Waterproof)	1
*	****26	P-77657-29 Conduit - 3/4" x 16-5/8" Lg. (Waterproof)	1
*	****27	FE-8-10 1/2" Gasket Assy.	1
*	****28	FE-8-11 3/4" Gasket Assy.	1
*	****29	FE-7-7 Connector - 90° "Sealtite" (1/2" Male Thd. x 1/2" Flex. Cnd.)	1
*	****30	FE-8-25 Connector - 90° "Sealtite" (3/4" Male Thd. x 3/4" Flex. Cnd.)	1
**	****31	FE-8-10 1/2" Gasket Assy.	1
**	****32	FE-7-7 Connector - 90° "Sealtite" (1/2" Male Thd. x 1/2" Flex. Cnd.)	1
**	****33	P-77658-40 Conduit - 1/2" x 11-1/2" Lg. (Waterproof)	1
**	****34	FE-7-43 Connector - Straight "Sealtite" (1/2" Female Thd. x 1/2" Flex. Cnd.)	1
**	****35	FE-6-37 Ell - 90° Short (1/2" Male Thd. x 1/2" Thinwall)	1
**	****36	C-89740-55 Conduit (Heater to Control Box)	1
**	****37	SC-21-22 Mach. Screw - #10-24 x 3/8" Rd. Hd.	1
**	****38	FE-6-47 Clamp - 1/2" Cnd.	1
**	****39	WL-6-6 Lock Washer - #10 x .055" x .040"	1
**	****40	NS-11-18 Mach. Nut - #10-24 Hex	1
**	****41	NS-11-18 Mach. Nut - #10-24 Hex	2
**	****42	WL-6-6 Lock Washer - #10 x .055" x .040"	2
**	****43	B-112157 Support - Conduit	2
**	****44	SC-21-22 Mach. Screw - #10-24 x 3/8" Rd. Hd.	2
**	****45	FE-6-45 Connector - Straight (1/2" Male Thd. x 1/2" Thinwall)	1
**	****46	FE-8-10 1/2" Gasket Assy.	1
*	****47	C-111989 Junction Box	1
*	****48	SC-21-37 Mach. Screw - 1/4"-20 x 3/8" Rd. Hd.	4
*	****49	WL-6-16 Lock Washer - 1/4" x .107" x .047"	4
*	****50	C-111987-1 Bracket & Weld Nut Assy.	1
*	****51	FE-5-81 Conduit - 1" x 3-3/16" Lg. (R.T.F.L.)	1
*	****52	FE-6-50 1" Lock Nut	2
*	****53	FE-8-12 1" Gasket Assy.	2
*	****54	FE-7-15 Bushing - 1" Cnd.	2
	P-86444	Insulator - Terminal (Above 250 V.)	1

*R.H. Controls ONLY.

**L.H. Controls ONLY.

***115 V. ONLY.

****208-480 V. ONLY.



DISH RACKS

ILLUS. PART
PL-11234 NO.

1 E-113788
2 E-113837

NAME OF PART

Rack - Peg -----
Rack - Combination -----

AMT.

1
1